

EAST JORDAN
IRON WORKS, INC.
P.O. BOX 439
EAST JORDAN, MI. 49727
1-800-874-4100
FAX 231-536-4458

DRAWN DEW	DATE 07/01/04
APPROVED	DATE

MANHOLE COVER
(LBIW X108)

PRODUCT NO.
00310824

CATALOG NO.
3108C

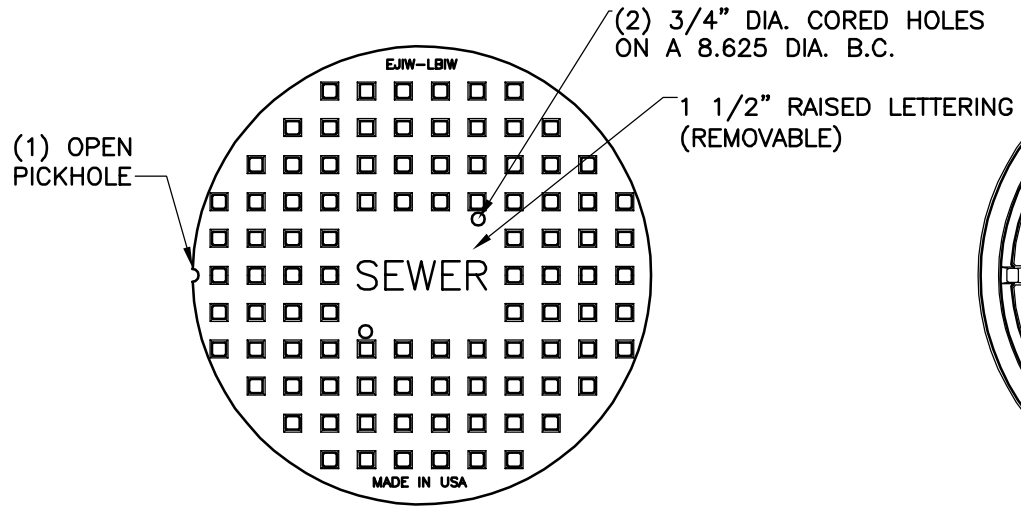
REF. PRODUCT DRAWING
310822

EST. WT.
COVER: 205 LBS 93kg

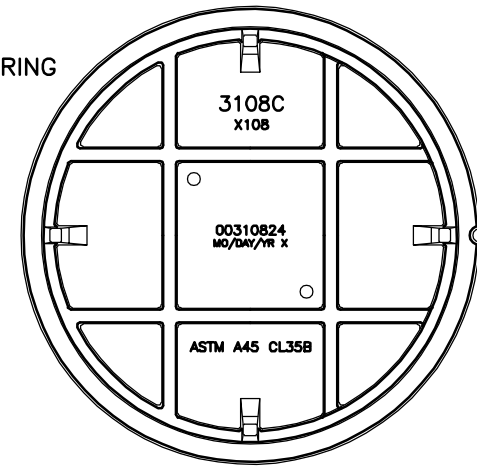
OPEN AREA
N/A

MAT'L SPEC.
COVER - GRAY IRON
ASTM A48 CL35B

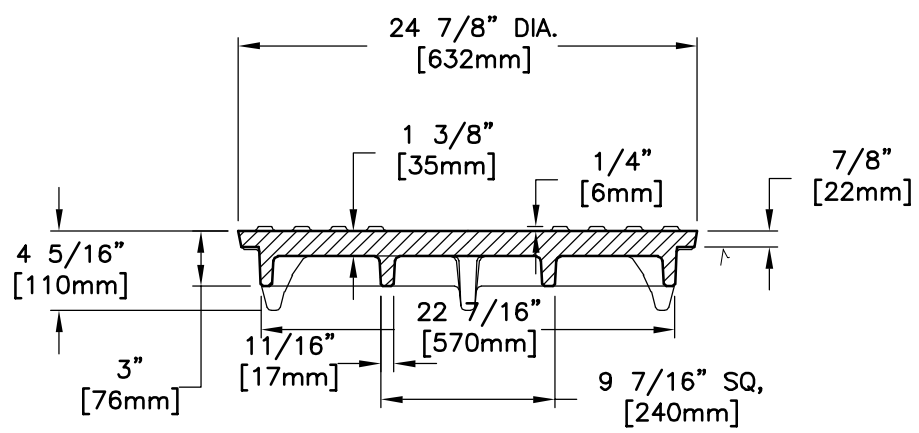
LOAD RATING
HEAVY DUTY



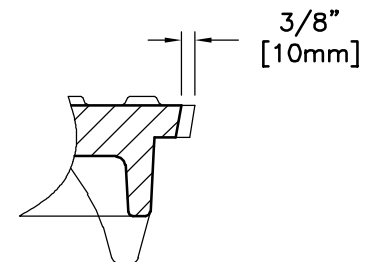
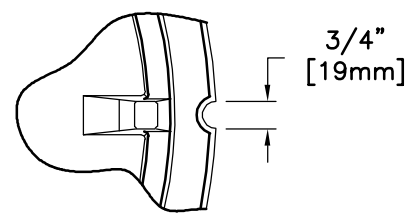
PLAN VIEW



BOTTOM VIEW



SECTION VIEW



OPEN PICKHOLE DETAIL