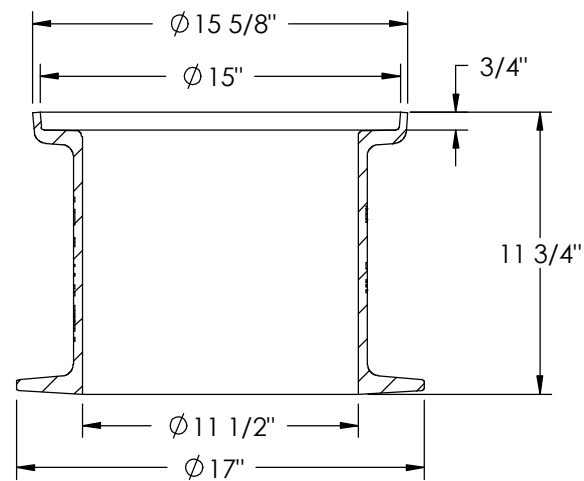
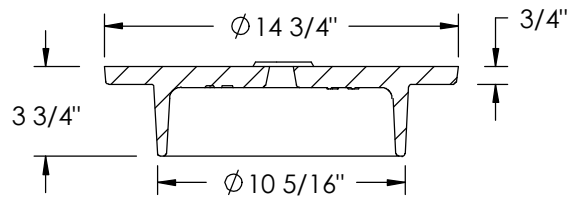
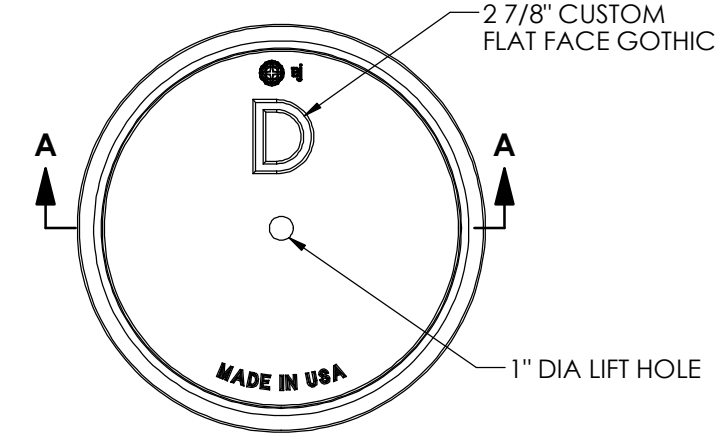


# 3510Z 3510C Assembly



**SECTION A-A**

**Product Number**

**00351022A01**

**Design Features**

- Materials
  - Cleanout/Monument Box Frame  
Gray Iron (CL35B)
  - Cleanout/Monument Box Cover  
Gray Iron (CL35B)

- Design Load
  - Heavy Duty H20
- Open Area
  - n/a
- Coating
  - Dipped
- √ Designates Machined Surface

**Certification**

- ASTM A48
- 
- Country of Origin: USA

**Major Components**

00351010  
00351022

**Drawing Revision**

8/11/2010 Designer: SBB  
4/1/2020 Revised By: DJH

**Disclaimer**

Weights (lbs/kg), dimensions (inches/mm) and drawings provided for your guidance. We reserve the right to modify specifications without prior notice.

CONFIDENTIAL: This drawing is the property of EJ Group, Inc. and embodies confidential information, registered marks, patents, trade secret information, and/or know-how that is the property of EJ Group, Inc. Copyright © 2013 EJ Group, Inc. All rights reserved.

**Contact**

800 626 4653  
ejco.com