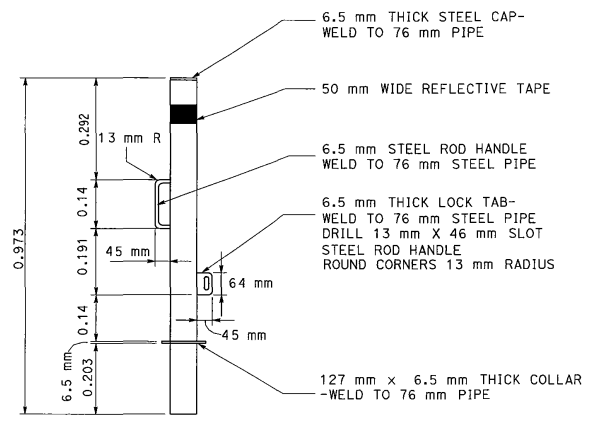


**BOLLARD PLAN VIEW**

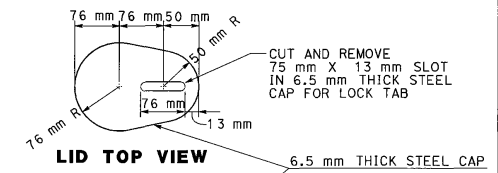
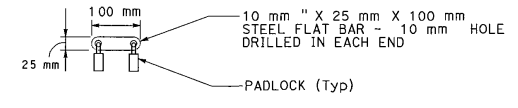


**BOLLARD ELEVATION**

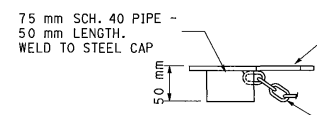


Dist	COUNTY	ROUTE	KILOMETER TOTAL PROJECT	POST No.	SHEET No.	TOTAL SHEETS
09	Iny	190	141.2/141.7	13	35	

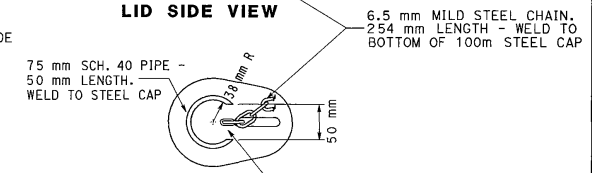
*Truman Denio* 7-17-08  
 REGISTERED CIVIL ENGINEER DATE  
 11-17-08  
 PLANS APPROVAL DATE  
 THE STATE OF CALIFORNIA OR ITS OFFICERS OR AGENTS SHALL NOT BE RESPONSIBLE FOR THE ACCURACY OR COMPLETENESS OF ELECTRONIC COPIES OF THIS PLAN SHEET.



**LID TOP VIEW**

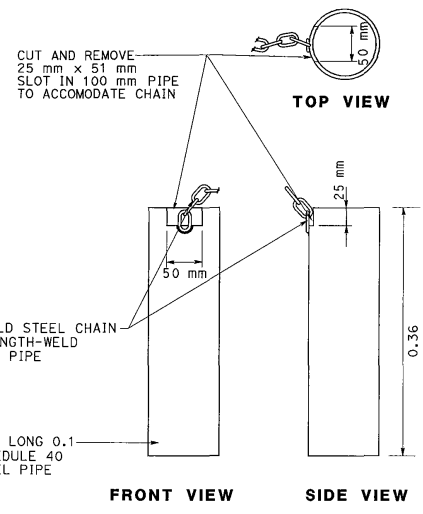


**LID SIDE VIEW**

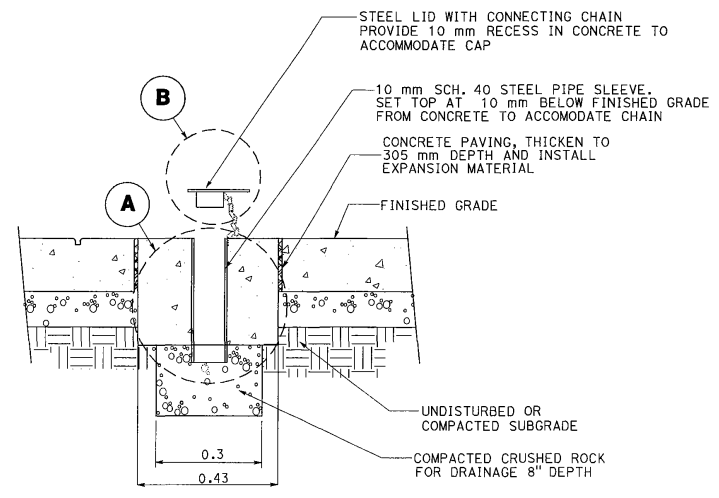


**LID BOTTOM VIEW**

**B STEEL LID**



**A PIPE SLEEVE**



**SLEEVE IN CONCRETE SECTION VIEW REMOVABLE BOLLARD**

ALL DIMENSIONS ARE IN METERS UNLESS OTHERWISE SHOWN.

**CONSTRUCTION DETAILS C-6**

