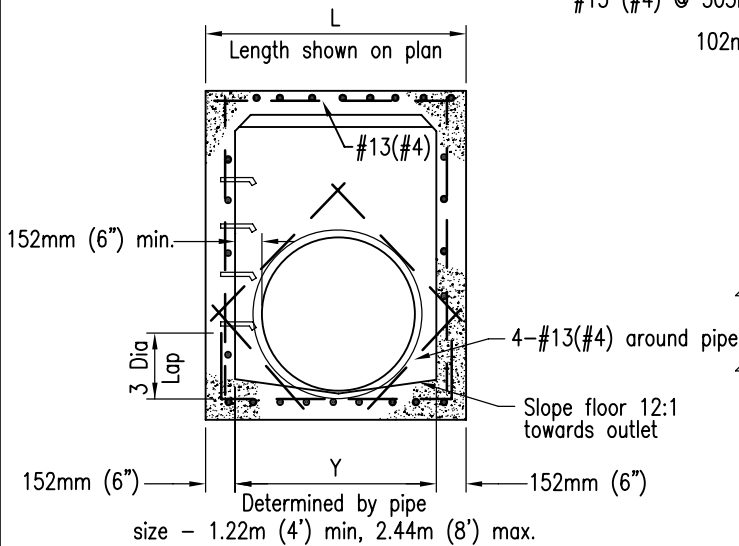
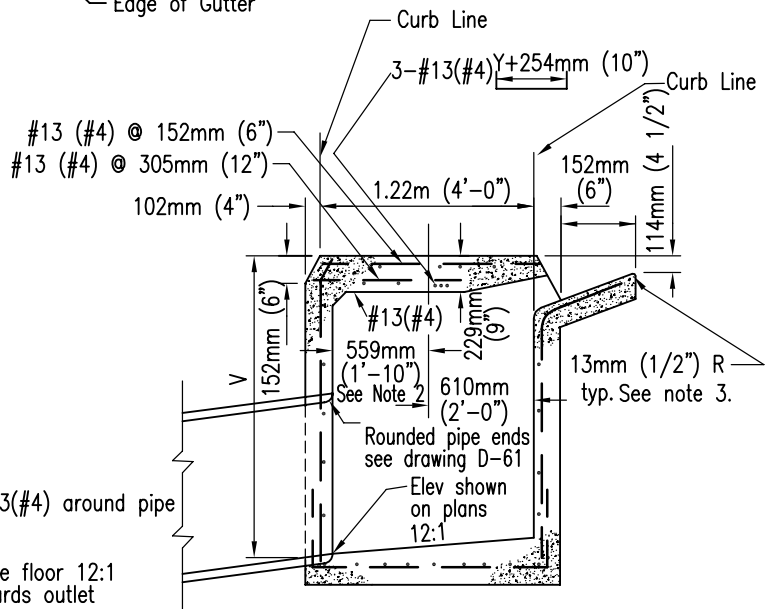


PLAN



SECTION A-A

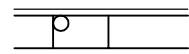


SECTION B-B

NOTES

1. See Standard Drawings D-11 & D-12 for additional notes and details.
2. Dimension shown becomes 610mm (2'-0") when opening on both sides. Adjust manhole as required.
3. Exposed edges of concrete shall be rounded with a radius of 13mm (1/2")
4. When V exceeds 1.22m (4') steps shall be installed. See Standard Drawing D-11 for details.
5. Concrete gutter to match adjacent gutters.
6. An expansion joint shall be placed at the ends of the inlet where the curb is to adjoin.
7. Provide 6.35mm (1/4") tooled groove in top slab in line with back of adjacent curb.
8. Maintain 38mm (1 1/2") clear spacing between reinforcing and surface unless otherwise noted.

LEGEND ON PLANS



Revision	By	Approved	Date
ORIGINAL		H. Hecht	10/82
Add Metric		T. Stanton	03/03
Reformatted		T. Stanton	04/06

SAN DIEGO REGIONAL STANDARD DRAWING

MEDIAN CURB INLET - TYPE J

RECOMMENDED BY THE SAN DIEGO REGIONAL STANDARDS COMMITTEE

T. Stanton 3/01/2003

Chairperson R.C.E. 19246 Date

DRAWING NUMBER **D-45**