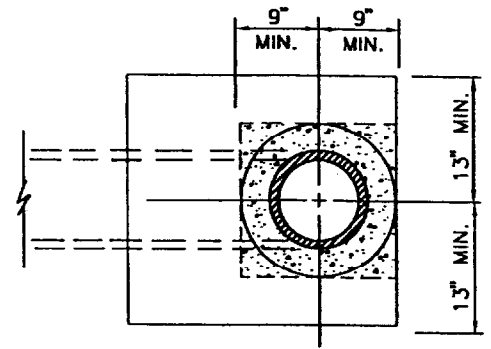
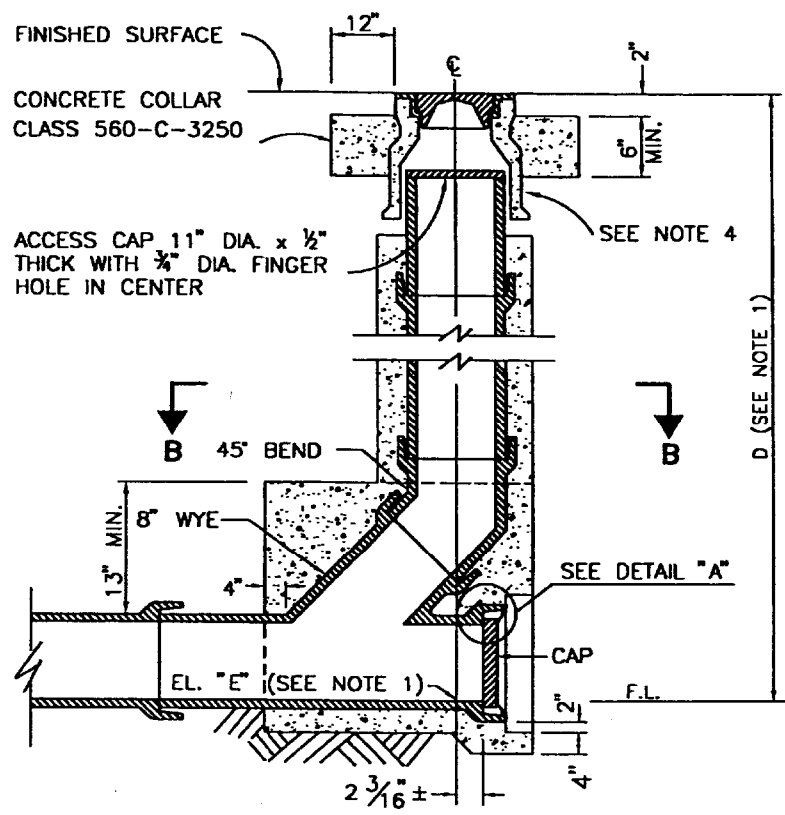


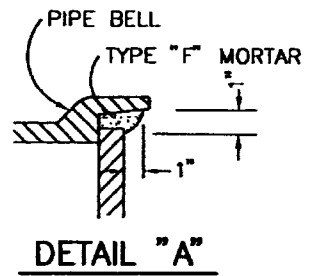
**PLAN**



**SECTION B-B**



**SECTION A-A**



**DETAIL "A"**

**NOTES:**

1. SEE PROJECT PLANS FOR VALUES OF DIMENSION "D" AND ELEVATION "E".
2. PIPE AND FITTINGS EXCEPT, AS OTHERWISE SHOWN HEREON, SHALL BE OF THE SAME MATERIAL AS THE SEWER UNLESS APPROVED ADAPTORS ARE UTILIZED AND MAY BE ANY OF THE FOLLOWING:  
 A. VC PIPE  
 B. PVC PLASTIC PIPE (SDR 35).
3. PIPES AND FITTINGS SHALL BE PROPERLY ALIGNED AND MAINTAINED WHILE CONCRETE IS BEING PLACED AND ALLOWED TO HARDEN. JOINTS FOR PIPES AND FITTINGS SHALL BE MADE PRIOR TO PLACING CONCRETE. CONCRETE FOR BEDDING, ENCASEMENT, AND WALL SUPPORT FOR PIPES AND FITTINGS SHALL BE PLACED UNIFORMLY AROUND THE PIPE AND FITTINGS AS SHOWN HEREON TO MAINTAIN PROPER ALIGNMENT AND SHALL BE CLASS 420-C-2000.
4. THE FRAME AND COVER SHALL BE MADE OF GRAY CAST IRON AS MANUFACTURED BY ALHAMBRA FOUNDRY A-1241 OR APPROVED EQUAL OR CHRISTY 3G GATE VALVE BOX MARKED SEWER.
5. THE CONTRACTOR, AT HIS OPTION, MAY PLACE EITHER A CIRCULAR OR SQUARE CONCRETE PIPE WALL SUPPORTS AS SHOWN HEREON.

|      |          |      |
|------|----------|------|
| REV. | APPR. BY | DATE |
|      |          |      |

|      |          |      |
|------|----------|------|
| REV. | APPR. BY | DATE |
|      |          |      |

|                                  |                          |                       |                                  |
|----------------------------------|--------------------------|-----------------------|----------------------------------|
| <p>CITY OF<br/><b>Oxnard</b></p> | <b>TERMINAL CLEANOUT</b> |                       | STANDARD PLAN<br>2002            |
|                                  | DRAWN: STAFF             | CKD.: STAFF <i>LB</i> | APPR. <i>Granville M. Bowman</i> |
| Department of Public Works       |                          |                       | SHEET 1 OF 1                     |