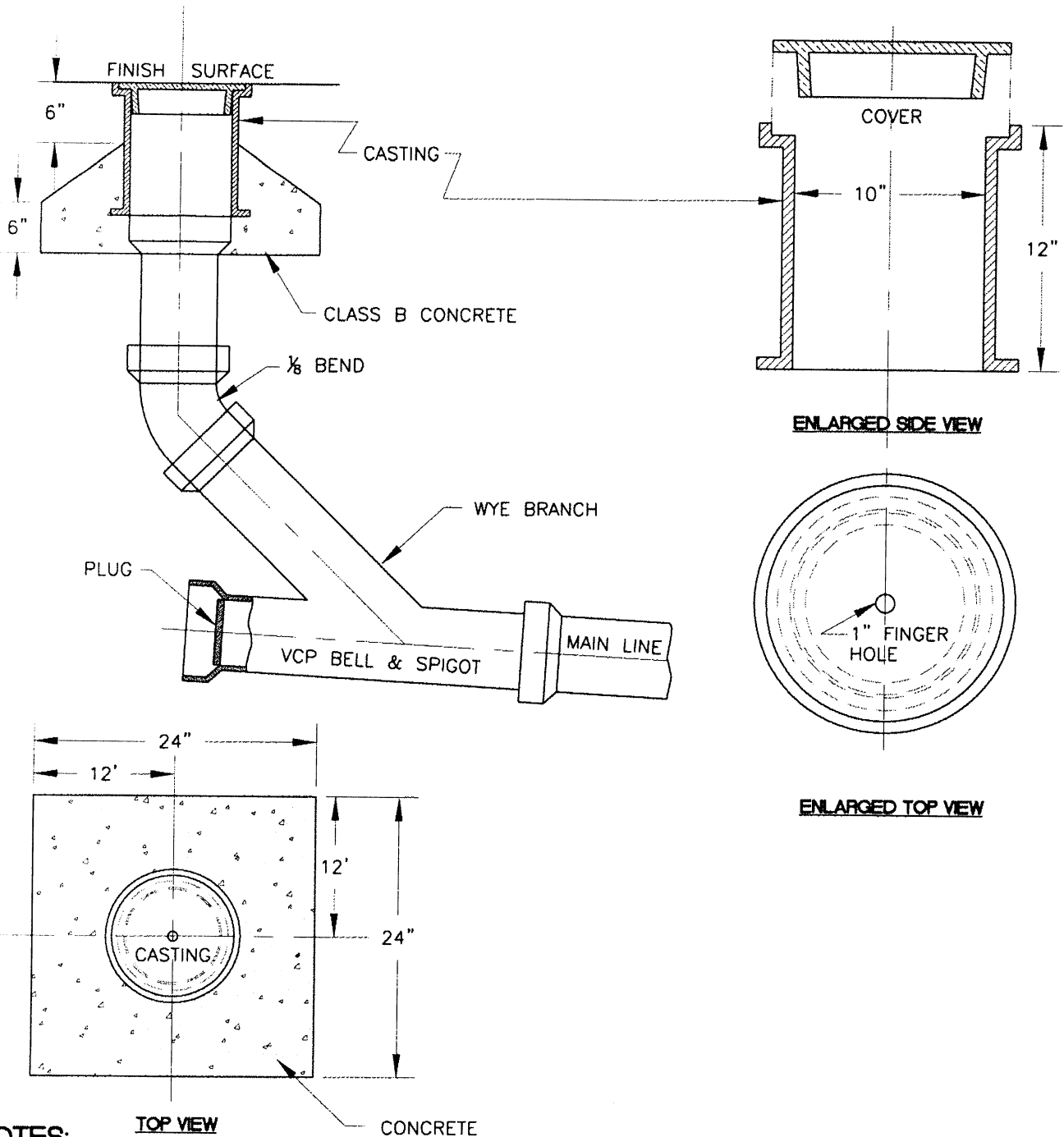


# CITY of NORCO STANDARD DRAWING



**NOTES:**

1. CLEAN-OUT PIPE MUST BE SAME DIAMETER AS MAIN LINE SEWER.
2. CASTING SHALL BE ALHAMBRA FOUNDRY NUMBER A-1240 OR EQUAL.
3. MAXIMUM DISTANCE BETWEEN SEWER MANHOLE AND TERMINAL CLEAN-OUT SHALL BE 150 FEET AND THERE SHALL BE NO MORE THAN 3 LATERALS BETWEEN TERMINAL CLEAN-OUT AND SEWER MANHOLE.

REVISION	NO:	BY:	DATE:	NO:	BY:	DATE:

Drawn By: LJA

Date: 01/04/05

1/4/05  
 APPROVED: *Joseph S. Schenk* 24039  
 CITY ENGINEER RCE

## SEWER TERMINAL CLEAN-OUT

Std. Dwg. No.  
**510**  
 Sheet 1 of 1