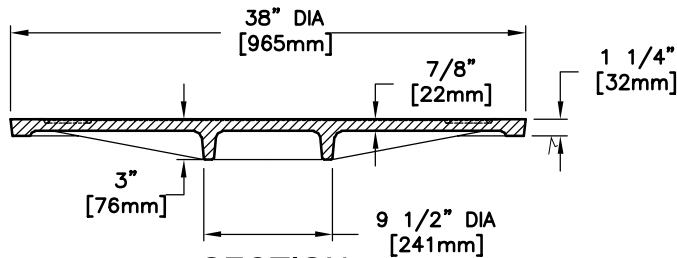
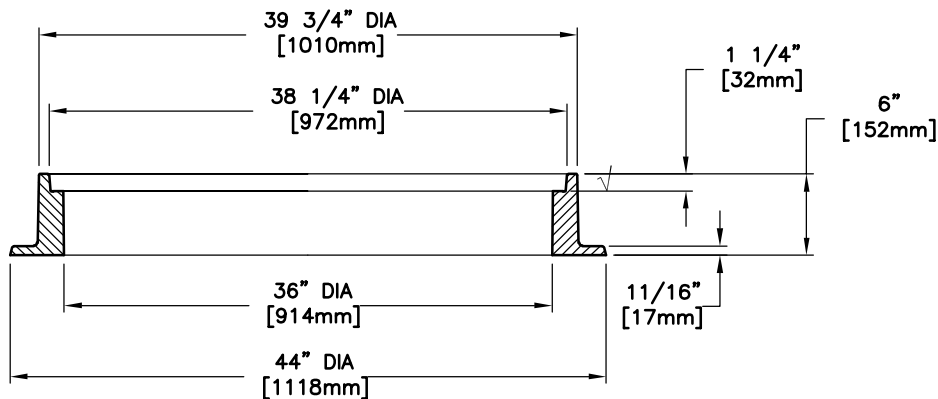


COVER BACK



SECTION



SECTION

√ MACHINED SURFACE

EAST JORDAN
IRON WORKS, INC.
P.O. BOX 439
EAST JORDAN, MI. 49727
1-800-874-4100
FAX 231-536-4458

DRAWN DEW	DATE 12/04/03
--------------	------------------

APPROVED	DATE
----------	------

MANHOLE ASSEMBLY

LBIW X106

PRODUCT NO.

00310603

CATALOG NO.

3106C
3106Z

REF. PRODUCT NO.

00310629
00310610

EST. WT.

COVER: 300 LBS 136kg
FRAME: 358 LBS 162kg
UNIT: 658 LBS 298kg

OPEN AREA

N/A

MAT'L SPEC.

COVER - GRAY IRON
ASTM A48 CL35B

FRAME - GRAY IRON
ASTM A48 CL35B

LOAD RATING

HEAVY DUTY