

STATE OF CALIFORNIA - DEPARTMENT OF TRANSPORTATION
Caltrans

REVISOR BY
 DATE REVISED

IRENE LIU
 ULYSSES HILLARD

CALCULATED BY
 DESIGNED BY

ULYSSES HILLARD



DIST	COUNTY	ROUTE	KILOMETER POST TOTAL PROJECT	SHEET No.	TOTAL SHEETS
04	Son	101	14.4/22.4	304	1068

REGISTERED CIVIL ENGINEER	DATE
HAN-BIN LIANG	9/26/08
No. C 48404	PLANS APPROVAL DATE
Exp. 6/30/10	2-2-09

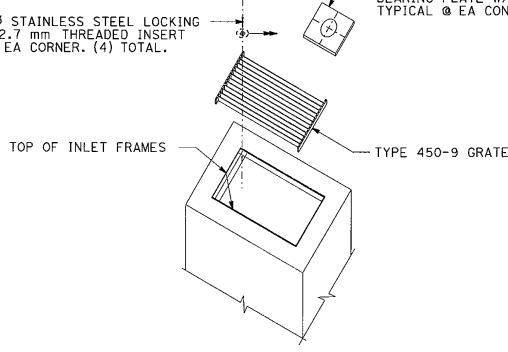
REGISTERED PROFESSIONAL ENGINEER
 CIVIL
 STATE OF CALIFORNIA

THE STATE OF CALIFORNIA OR ITS OFFICERS OR AGENTS SHALL NOT BE RESPONSIBLE FOR THE ACCURACY OR COMPLETENESS OF ELECTRONIC COPIES OF THIS PLAN SHEET.

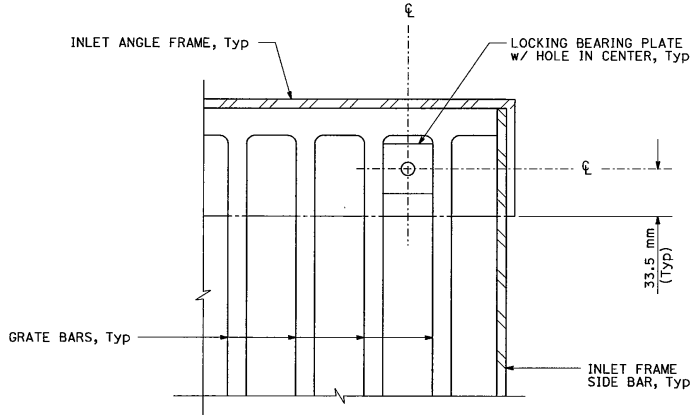
WRERO 1814 FRANKLIN STREET, SUITE 608 OAKLAND, CA 94612	SCTA 520 MENDOCINO AVENUE, SUITE 240 SANTA ROSA, CA 95401
---	---

6.35 mm ϕ STAINLESS STEEL LOCKING BOLT w/ 12.7 mm THREADED INSERT TYPICAL @ EA CORNER. (4) TOTAL.

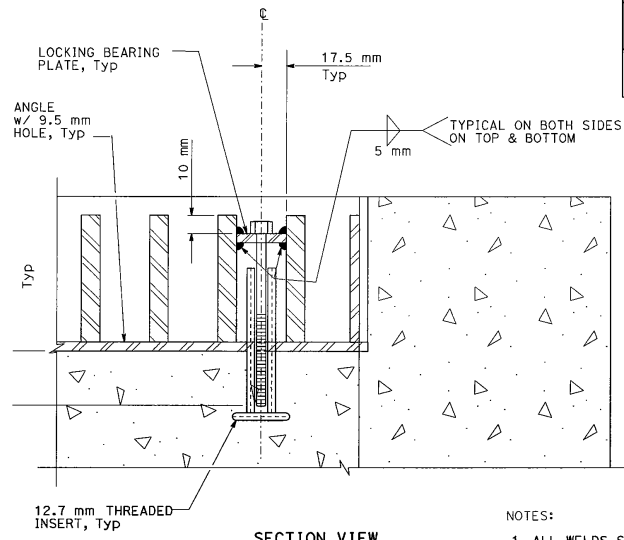
35 mm x 35 mm x 6.4 mm LOCKING BEARING PLATE w/ 9.5 mm HOLE TYPICAL @ EA CORNER. (4) TOTAL.



TYPE G1 CLEANOUT



PARTIAL PLAN



SECTION VIEW

- NOTES:
1. ALL WELDS SHALL BE CONTINUOUS.
 2. FOR DETAILS NOT SHOWN, SEE S+D PLANS D73.
 3. FOR DETAILS NOT SHOWN, SEE S+D PLANS D77A.

GRATE LOCKING DEVICE

503 a e 504 a e 505 e 506 e 511 a i k m
 512 a c i k m 513 a c g k 516 a c j q

ALL DIMENSIONS ARE IN MILLIMETERS UNLESS OTHERWISE SHOWN
DRAINAGE DETAILS
 NO SCALE
DD-11

