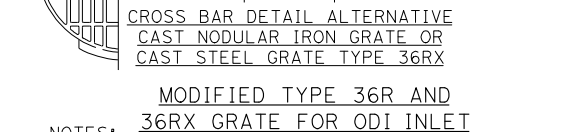
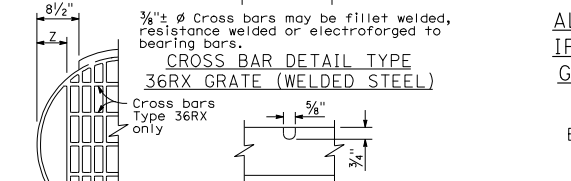
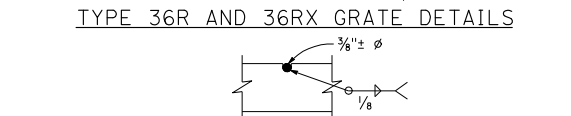
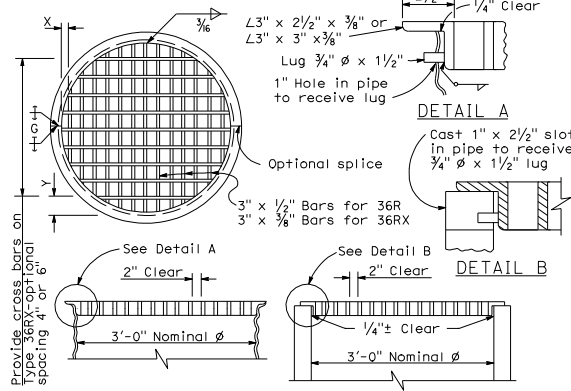
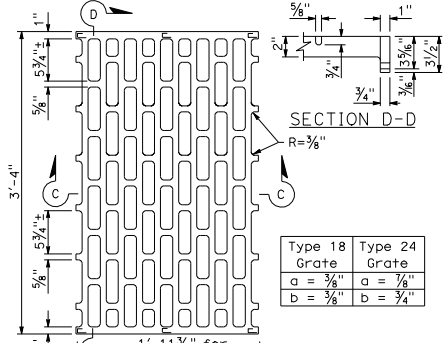


NOTES:

Bearing bars to be 3/2" x 1/4" bars on 1 1/8" centers.
3/8" ± φ Cross bars may be fillet welded, resistance welded or electroforged to bearing bars.
Weight of Type 24 grate = 141 LBS.
Weight of Type 18 grate = 107 LBS. (Type 24 grate shown).

NOTES:

Weight of Type 24 grate = 155 LBS.
Weight of Type 18 grate = 130 LBS.
On Type 18 grate omit center bearing point.



GRATE BAR SPACING TABLE

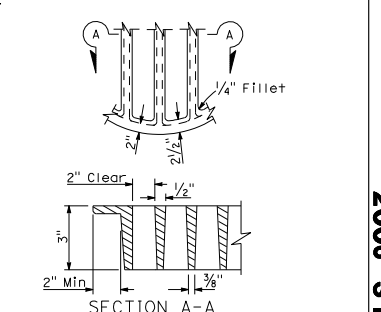
TYPE	No. OF BARS	CLEAR BAR SPACING	X	4" SPACING	6" SPACING	Z
36R	13	2"	2 1/8"	-	-	-
36RX (Steel)	15	2"	3/8"	3 3/4"	5 3/4"	-
36RX (Cast)	13	2"	2 1/8"	3 3/4"	5 3/4"	-
36R Mod	12	2"	2 1/8"	-	-	5"
36RX Mod (Steel)	13	2"	3/8"	3 3/4"	5 3/4"	5 1/8"
36RX Mod (Cast)	12	2"	2 1/8"	3 3/4"	5 3/4"	5"

DIST	COUNTY	ROUTE	POST MILES TOTAL PROJECT	SHEET NO.	TOTAL SHEETS
------	--------	-------	--------------------------	-----------	--------------

Glenn DeCoux
REGISTERED CIVIL ENGINEER
No. C34547
Exp. 9-30-07
CIVIL
STATE OF CALIFORNIA

May 1, 2006
PLANS APPROVAL DATE

The State of California or its officers or agents shall not be responsible for the accuracy or completeness of electronic copies of this plan
To get to the Caltrans web site, go to: <http://www.dti.ca.gov>



BASIS FOR MISC IRON & STEEL FINAL PAY WEIGHTS FOR DRAINAGE INLETS

INLET TYPE	GRATE TYPE	No. OF GRATES	WEIGHT LB
GDO (SEE NOTE 4)	24-10C	2	391
	24-10S	2	456
	24-12X	2	473
G0, G0L, G1, G2, G3, G4 (TYPE 24)	24-13	2	374
	24-10C	1	202
	24-10S	1	229
G4 (TYPE 18) G5, G6	24-12X	1	239
	24-13	1	188
	18-8S	1	187
GT1, GT2	18-9X	1	187
	18-10	1	149
	18-8S	2	374
GT3, GT4	18-9X	2	374
	18-10	2	298
	24-10C	2	404
	24-10S	2	458
ODI GMP, GCP, GCPI	24-12X	2	478
	24-13	2	376
	36RX (Mod)	1	196
	36RX	1	215
GMP, GCP, GCPI	ODI 36R (Mod)	1	220
	36R	1	236

STATE OF CALIFORNIA
DEPARTMENT OF TRANSPORTATION

BICYCLE PROOF GRATE DETAILS
NO SCALE

D77B