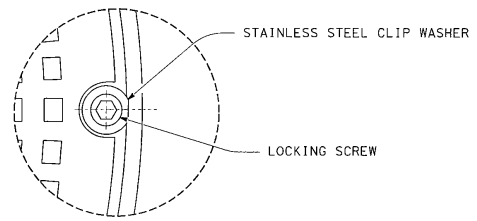
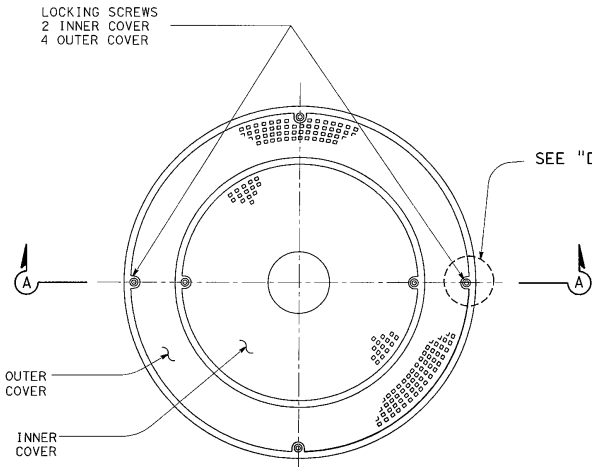




DIST	COUNTY	ROUTE	KILOMETER POST TOTAL PROJECT	SHEET NO.	TOTAL SHEETS
11	Imp	78,111	R19.5/R24.5 37.6/38.5	161	462

Donald F. Martinez 04-10-07  
 REGISTERED CIVIL ENGINEER EXPIRES DATE  
 6-11-07  
 PLANS APPROVAL DATE  
 The State of California or its officers or agents shall not be responsible for the accuracy or completeness of electronic copies of this plan sheet.  
 To get to the Caltrans web site, go to: <http://www.dfs.ca.gov>

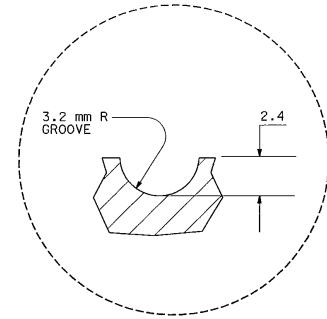


**DETAIL A**

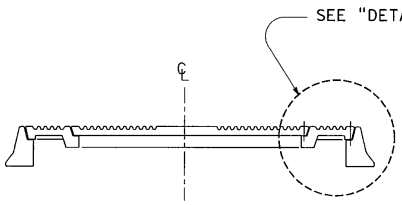
SEE "DETAIL "A"

**PLAN**

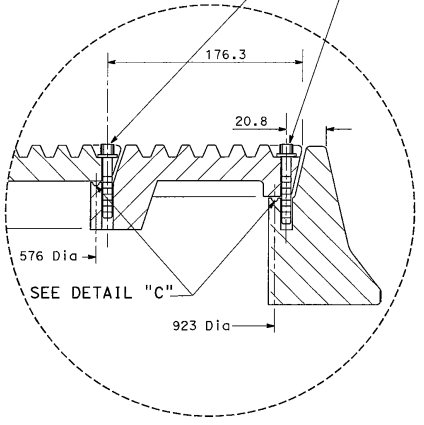
DRILL AND TAP FOR 15.9 mm X 20 UNC THREAD, 38.1 mm DEEP  
CBORE 41.3 mm Dia X 15.9 mm DEEP



**DETAIL C**



**SECTION A-A**



**DETAIL B**

**MANHOLE COVER LOCK**

**NOTES:**

- 15.9 mm X 20 UNC THREAD, 316 STAINLESS STEEL SOCKET HEAD CAP SCREW AND 38.1 mm O.D. X 17.5 mm I.D. X 2.0 mm THICK 316 STAINLESS STEEL WASHER
- 6.3 mm NEOPRENE O-RING GASKET SHALL BE GLUED INTO MACHINED GROOVE (DETAIL C). GLUE SHALL MEET THE REQUIREMENTS OF MIL-M-81288
- BOLT-DOWN PATTERNS:
  - BETWEEN INNER AND OUTER COVERS INSTALL TWO BOLTS AT 180°.
  - BETWEEN OUTER COVER AND FRAME INSTALL FOUR BOLTS AT 90°.

**DRAINAGE DETAILS**

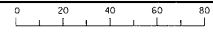
STATE OF CALIFORNIA - DEPARTMENT OF TRANSPORTATION  
 Caltrans PROJECT DEVELOPMENT  
 DONALDO F. MARTINEZ  
 CALCULATED/DESIGNED BY  
 CHECKED BY  
 DATE REVISOR BY  
 DATE REVISOR BY  
 DATE REVISOR BY

ALL DIMENSIONS ARE IN MILLIMETERS UNLESS OTHERWISE SHOWN.

NO SCALE

DD-4

FOR REDUCED PLANS ORIGINAL SCALE IS IN MILLIMETERS



USERNAME => rfrando  
DGN FILE => b167881c004.dgn

CU 11278

EA 167881

LAST REVISION DATE PLOTTED => 13-JUN-2007  
 04-14-07 TIME PLOTTED => 09:34