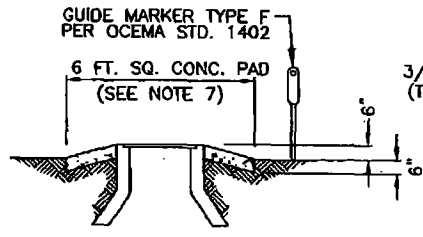
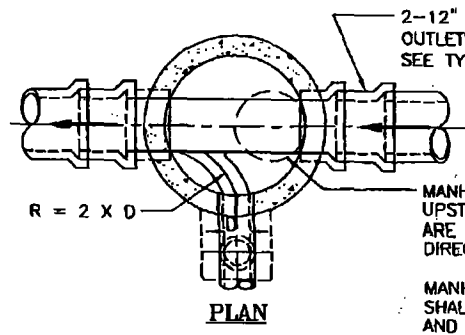


TYPICAL SECTION

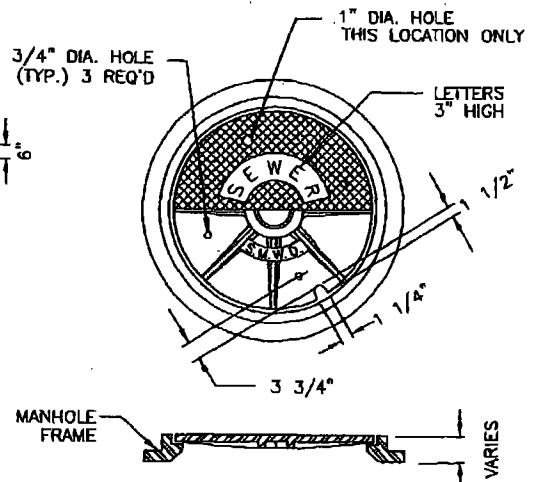
STANDARD 48" 60" & 72" MANHOLE AND DROP MANHOLE CONNECTION

NOTES

- 48" I.D. MANHOLE TO BE USED ON SEWERS WITH A DIAMETER OF 18" OR LESS AND A DEPTH OF 12 FEET OR LESS UNLESS OTHERWISE DIRECTED BY THE ENGINEER.
- 60" I.D. MANHOLE TO BE USED ON SEWERS WITH A DIAMETER OF 20" OR MORE OR WITH A DEPTH GREATER THAN 12 FEET UNLESS OTHERWISE DIRECTED BY THE ENGINEER.
- 72" I.D. MANHOLE TO BE USED ON SEWERS WITH A DEPTH GREATER THAN 16 FEET UNLESS OTHERWISE DIRECTED BY THE ENGINEER.
- ALL MONITORING MANHOLES SHALL HAVE A SHAFT I.D. OF 48" OR 60" AND A FRAME AND COVER OF 30" DIAMETER, SEE S1A FOR FLAT TOP MANHOLE WITH COVER OF 5' OR LESS.
- WHEN BROKEN END OF PIPE IS WITHIN A MANHOLE, BREAK BACK FLUSH WITH INSIDE OF MANHOLE WALL AND PLASTER BROKEN EDGES SMOOTH. WHEN UNBROKEN END OF PIPE IS IN MANHOLE, LEAVE SQUARE END AND FILL FILLETS AT UPPER SECTION TO DRAIN.
- THE CROWN ELEVATIONS OF ALL PIPES SHALL BE THE SAME AS THE CROWN ELEVATION OF THE LARGEST PIPE UNLESS OTHERWISE NOTED ON THE DRAWING.
- ALL CAST IN PLACE CONCRETE SHALL BE CLASS 560-C-3250 WITH WIRE MESH.
- INSTALL BRICK PLUG IN CHANNEL OUTLET AND PLACE SHAPED PLYWOOD COVERS (5/8" THK. MIN.) WITH OVERLAPPING SCARF JOINT BETWEEN HALVES IN BOTTOM OF MANHOLE AFTER SHAFTS HAVE BEEN SET TO KEEP DEBRIS FROM ENTERING SEWER, REMOVE AT FINAL INSPECTION.
- INTERIORS OF MANHOLES USED ON SEWERS WITH A DIAMETER OF 10" AND LARGER SHALL BE COATED WITH "SANCON 100" POLYURETHANE COATING OR APPROVED EQUAL.
- PRIOR TO ANY SEWER BEING PLACED INTO SERVICE, A HIGH DENSITY POLYETHYLENE MANHOLE COVER INSERT, MANUFACTURED BY FLOW IN FLOW, OR APPROVED EQUAL, SHALL BE INSTALLED ON THE MANHOLE RIM UNDER THE MANHOLE COVER IN CONFORMANCE WITH MANUFACTURER'S RECOMMENDATIONS. THE INSERT SHALL REMAIN IN PLACE UNTIL THE STREET IS CAP PAVED, AT WHICH TIME THE INSERT IS TO BE REMOVED FROM THE SYSTEM.



TOP OF MANHOLE IN UNIMPROVED AREA (WITH GASKETED AND BOLT DOWN COVER)



MANHOLE FRAME AND COVER FRAME AND COVER DETAIL TYPICAL FOR 48", 60", 72" AND MONITORING MANHOLES

REVISION	DRAWN	APP'D	DATE
△	R.D.	D.F.	OCT. 01
△	R.D.	D.F.	AUG. 07
APPROVED			
<i>David N. DeLeon</i>		39535	9/25/96
CHIEF ENGINEER		RCE	DATE

Santa Margarita Water District

STANDARD MANHOLE

STANDARD DRAWING NUMBER S1