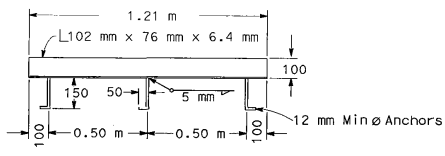


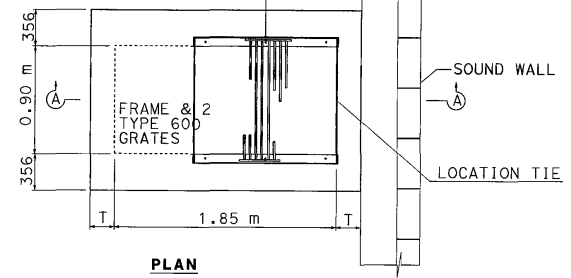
GRATE FRAME DETAIL



ANCHOR PLACEMENT DETAIL

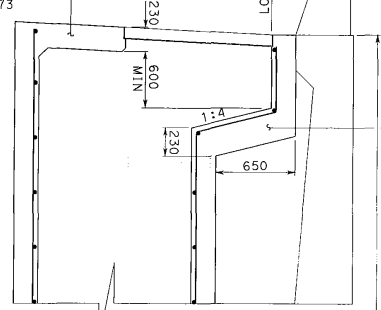
For grate, frame and anchor placement details see Standard Plans D77A and D77B

CUT 14 mm OFF ENDS OF BOLTS (BOLTED GRATES) OR BARS (WELDED GRATES). FOR BOLTED GRATES LOCK WELD ONE NUT TO BOLT OR PEEN THREADS TO HOLD ONE NUT.

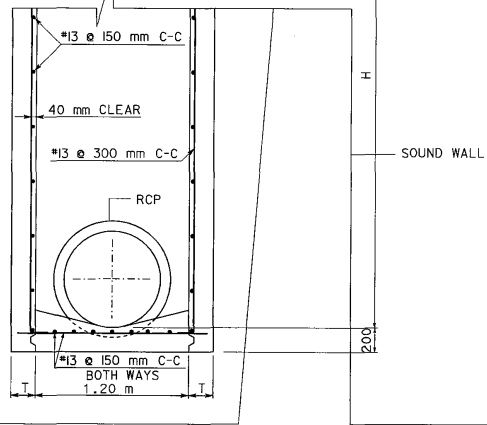


PLAN

FOR BAR REINFORCEMENT SEE TYPE G2 INLET PER STANDARD PLAN D73



FOR BAR REINFORCEMENT SEE TYPE G2 INLET PER STANDARD PLAN D73



SECTION A-A

GD-2 INLET (MODIFIED)



| | | | | |
|-------------|------------------------------------|------------------------------|----------|--------------|
| DIST/COUNTY | ROUTE | KILOMETER POST TOTAL PROJECT | SHEET NO | TOTAL SHEETS |
| 07 LA | 5,10,60,90,101,105,134,170,405,605 | Var | 323 | 1697 |

5-15-03
 REGISTERED CIVIL ENGINEER
 WING-YAN LEE
 No. 61452
 Exp. 6-30-05
 CIVIL
 STATE OF CALIFORNIA

2-2-04
 PLANS APPROVAL DATE

The State of California or its officers or agents shall not be responsible for the accuracy or completeness of electronic copies of this plan sheet.

Caltrans now has a web site! To get to the web site, go to: <http://www.dcl.ca.gov>

NOTES

- 'H' IS THE DIFFERENCE IN ELEVATION BETWEEN THE OUTLET PIPE FLOW LINE AND THE FLOW LINE OF THE GRATES.
- STEPS - NONE REQUIRED WHEN 'H' IS 1.07 m OR LESS. INSTALL ONE STEP 400 mm± ABOVE FLOOR WHEN 'H' IS MORE THAN 1.07 m AND LESS THAN 1.52 m. WHERE 'H' IS MORE THAN 1.52 m STEPS SHALL BE EVENLY SPACED @ 300 mm± INTERVALS FROM 400 mm± ABOVE FLOOR TO WITHIN 300 mm± OF THE TOP OF THE BOX. PLACE STEPS IN WALL WITHOUT PIPE OPENINGS. SEE STANDARD PLAN D74C FOR STEP DETAIL.
- PIPE(S) CAN BE PLACED IN ANY WALL.
- REINFORCING STEEL NOT REQUIRED IN WALLS WHEN H=1.83 m OR LESS.
- REINFORCING STEEL IN WALLS SHALL BE #13 BARS PLACED 40 mm CLEAR TO INSIDE OF BOX. REINFORCEMENT SHOWN IS TYPICAL FOR ALL WALLS.
- FOR ISOLATION JOINT DETAIL, SEE SHEET D-113.

MISCELLANEOUS IRON & STEEL

| INLET TYPE | GRATE TYPE | MASS(kg) |
|-------------|------------|----------|
| GD-1 & GD-2 | 600 - 12 | 264 |

| H | T |
|------------------|--------|
| 2.44 m OR LESS | 150 mm |
| 2.46 m to 6.10 m | 200 mm |
| 6.12 m and UP | 200 mm |

ALL DIMENSIONS ARE IN MILLIMETERS UNLESS SHOWN OTHERWISE
DRAINAGE DETAILS
 NO SCALE

D-90