

EJIW EAST JORDAN
 IRON WORKS EST. 1883
 800-626-4653
 www.ejiw.com
 MADE IN USA

PRODUCT NUMBER

47381261

CATALOG NUMBER

V7381-20

**TRENCH FRAME
 ASSEMBLY**

LOAD RATING

HEAVY DUTY

COATING

UNDIPPED

MATERIAL SPECIFICATION

GRATE - GRAY IRON
 ASTM A48 CL35B

FRAME - GRAY IRON
 ASTM A48 CL35B

OPEN AREA

41 SQ IN

√ DESIGNATES MACHINED
 SURFACE

DRAWN

DAL

DATE

06/17/04

LAST REVISED

GAD

DATE

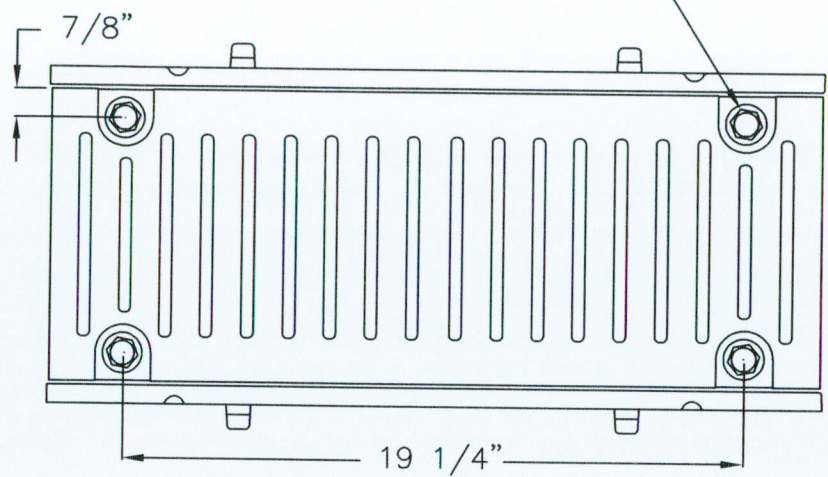
02/09/09

REFERENCE INFORMATION

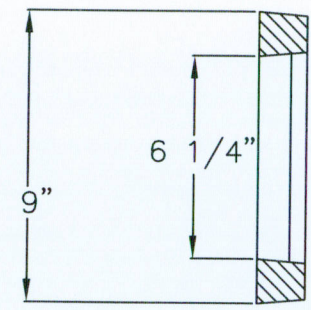
47320110

47381230

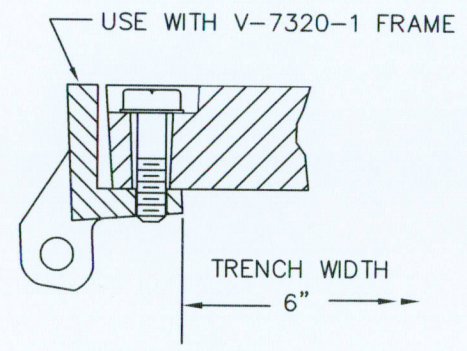
(4) 5/8"-11 X 2"
 S.S. BOLTS W/WASHERS



GRATE TOP VIEW

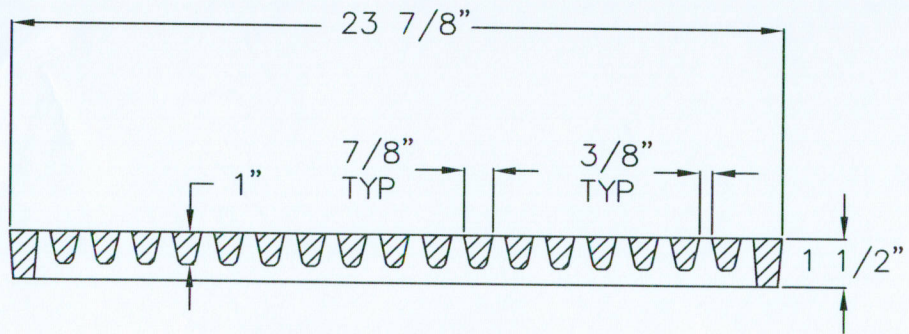


GRATE SECTION



BOLT DOWN DETAIL

CAUTION: DO NOT DISASSEMBLE BOLTED
 GRATES BEFORE SETTING SECTIONS IN
 CONCRETE



GRATE SECTION

CONFIDENTIAL: This drawing is the property of East Jordan Iron Works, Inc. and embodies confidential information, trade secret information, and/or know how that is the property of East Jordan Iron Works, Inc. © Copyright 2007 East Jordan Iron Works, Inc.