



LBIW Inc.

2020 WEST 14TH STREET
LONG BEACH, CA. 90813
Tel No. : (562) 432.5451
Fax No. : (562) 432.5929

www.lbiw.com

PRODUCT NUMBER
LB 523A/X-523A

LOAD RATING
TRAFFIC RATED
COATING
ASPHALTUM (BLACK)

EST. WEIGHT

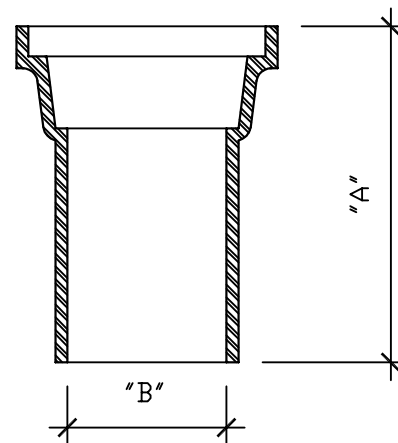
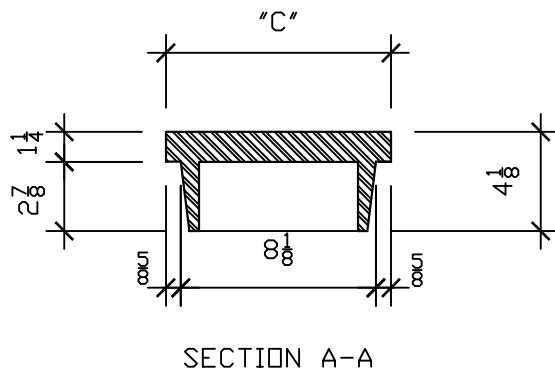
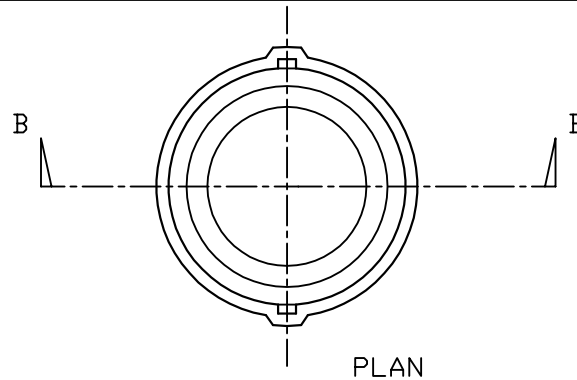
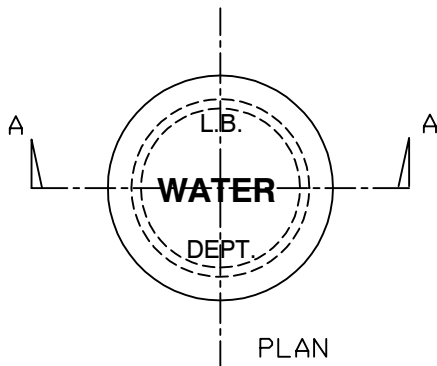
WEIGHTS MAY VARY
MINUS 5 %, PLUS 10 %

SPECIFICATION
CITY OF LONG BEACH
WATER DEPARTMENT
STANDARD PLAN DRAWING
WDS-115 / WDS-116 / WDS-119
WDS-120

DRAWN EB	DATE 01-15-09
REVISED 02-18-09	DATE

REFERENCE INFORMATION

SECTION 03



NOTE : ALL MEASUREMENTS ARE IN INCHES

ACCESS COVER AND FRAME ASSEMBLY

CATALOG NUMBER	OVERALL HEIGHT "A"	CLEAR OPENING "B"	O.D. OF COVER "C"	APPROX. WEIGHT
LB 523A	14"	6 5/8"	9 3/8"	72 lbs