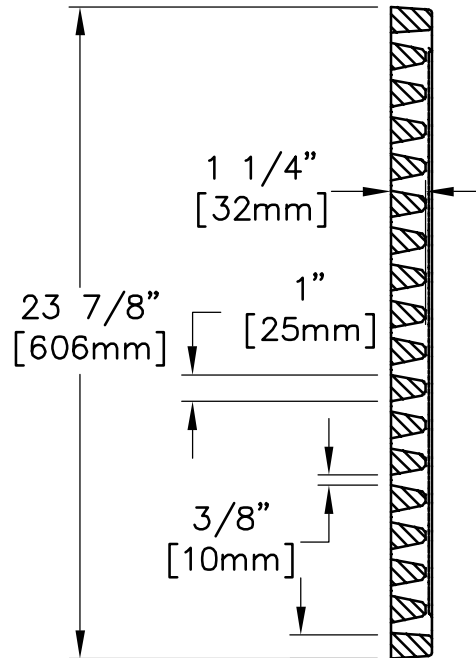
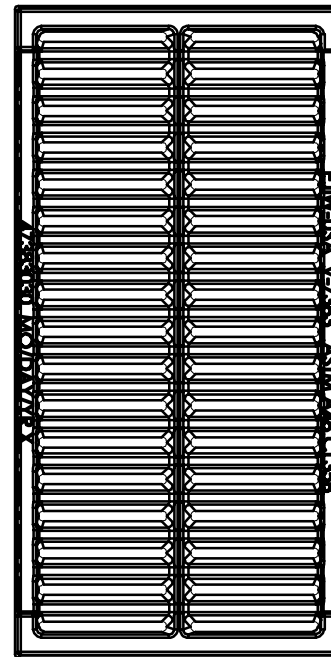


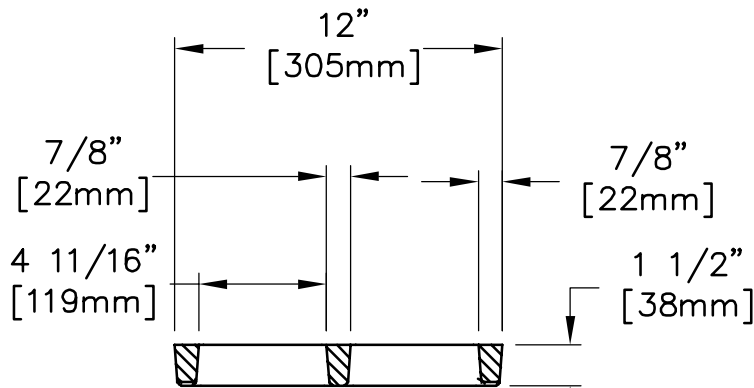
GRATE TOP VIEW



GRATE SECTION



BOTTOM VIEW



GRATE SECTION

EAST JORDAN
IRON WORKS, INC.
P.O. BOX 439
EAST JORDAN, MI. 49727
1-800-874-4100
FAX 231-536-4458

DRAWN DEW	DATE 06/25/04
APPROVED	DATE

V-7383 GRATE

PRODUCT NO.

47383030

CATALOG NO.

V-7383

REF. PRODUCT DRAWING

47383030

EST. WT.

GRATE: 63 LBS 29kg

OPEN AREA
58 SQ. INCHES
374 SQ. CM

MAT'L SPEC.

GRATE - GRAY IRON
ASTM A48 CL35B

LOAD RATING

HEAVY DUTY