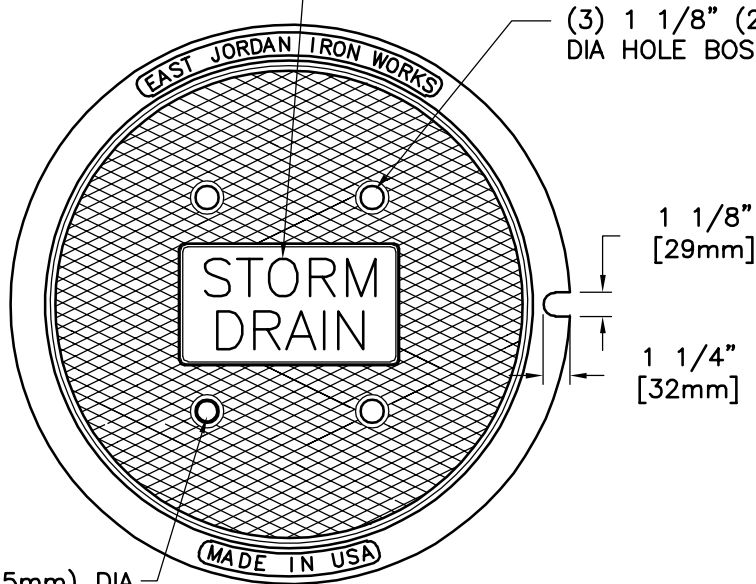


1 1/2" (38mm) LETTERS  
(RECESSED FLUSH)

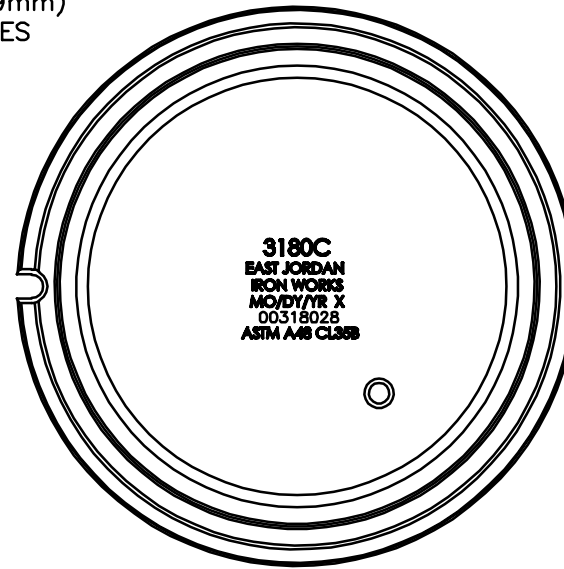


(3) 1 1/8" (29mm)  
DIA HOLE BOSSES

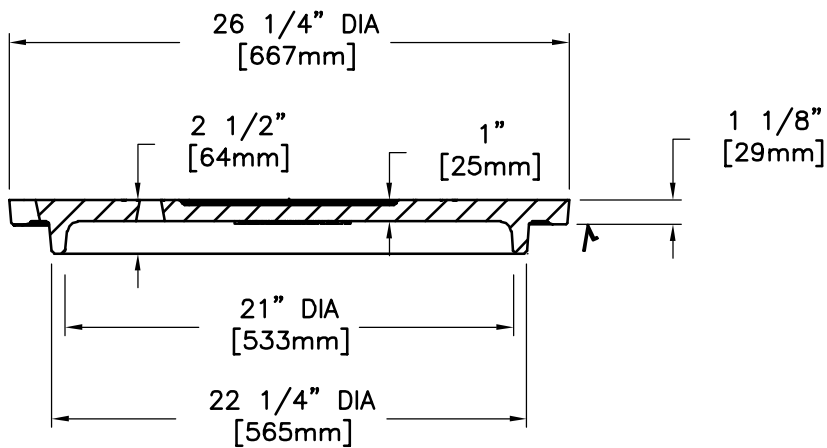
1 1/8"  
[29mm]

1 1/4"  
[32mm]

(1) 1" (25mm) DIA  
VENT HOLE



BOTTOM VIEW



COVER SECTION

√ MACHINED SURFACE

**EAST JORDAN  
IRON WORKS, INC.**  
P.O. BOX 439  
EAST JORDAN, MI. 49727  
1-800-874-4100  
FAX 231-536-4458

DRAWN  
DEW

DATE  
02/27/06

APPROVED

DATE

MANHOLE COVER

PRODUCT NO.

**00318028**

CATALOG NO.

**3180C**

REF. PRODUCT DRAWING

**00318023**

EST. WT.

COVER: 150 LBS 68kg

OPEN AREA

N/A

MAT'L SPEC.

COVER - GRAY IRON  
ASTM A48 CL35B

LOAD RATING

**HEAVY DUTY**