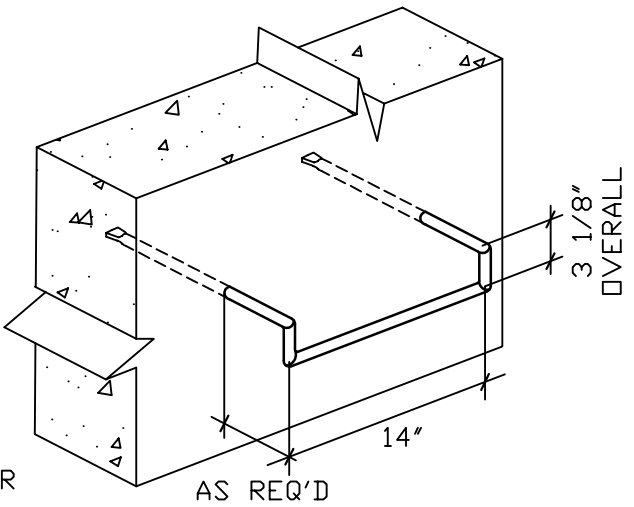


PLAN

SECTION A-A



DETAIL

LB 400 SERIES			
CATALOG NUMBER	WIDTH	LEG LENGTH	APPROX. WEIGHT
LB 400B-11S	14"	11"	5 LBS
NOTE : DEFORMED ENDS OF LEG LENGTH (TYPICAL)			

NOTES :

1. ALL MEASUREMENTS ARE IN INCHES.
2. STEPS MAY BE INSTALLED IN A CONCRETE WALL BY DRILLING A 1 1/2" MINIMUM DIAMETER HOLE AND DRY PACKING THE STEP IN PLACE WITH CLASS "C" MORTAR OR OTHER HIGH STRENGTH NON-SHRINK GROUT.

LBIW Inc.
 2020 WEST 14TH STREET
 LONG BEACH, CA. 90813
 Tel No. : (562) 432.5451
 Fax No. : (562) 432.5929
 www.lbiw.com

PRODUCT NUMBER
LB 400B-11S
 GENERAL USE STEEL
 STEP FOR MANHOLE
 AND CATCH BASIN

SPECIFICATIONS
MATERIAL : ASTM A36 / A307
COATING : ASTM A123

MADE IN USA

EST. WEIGHT
 5 LBS

STANDARD PLAN REFERENCE
 *CITY OF LOS ANGELES
 PLAN STD S-348-1

DRAWN EB	DATE 04-29-09
REVISED 06-11-09	DATE

REFERENCE INFORMATION