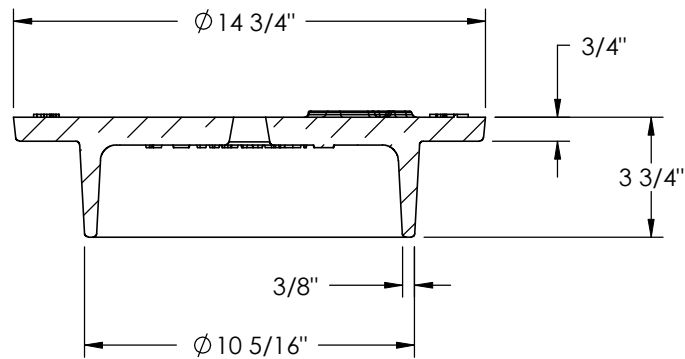


BOTTOM VIEW



SECTION A-A

EJIW EAST JORDAN
IRON WORKS EST. 1883

800-626-4653
www.ejiw.com
MADE IN USA

PRODUCT NUMBER
00351026

CATALOG NUMBER
3510C

COVER

LOAD RATING
HEAVY DUTY

COATING
DIPPED

SPECIFICATION

COVER -GRAY IRON
ASTM A48 CL35B

OPEN AREA
NA

√ DESIGNATES
MACHINED SURFACE

DRAWN DEW	DATE 5/29/2009
LAST REVISED DEW	DATE 8/19/2009

CONFIDENTIAL: This drawing is the property of East Jordan Iron Works, Inc. and embodies confidential information, trade secret information, and/or know how that is the property of East Jordan Iron Works, Inc. © Copyright 2009 East Jordan Iron Works, Inc.