

PRODUCT NUMBER

00310102

CATALOG NUMBER

3101C
3101Z

ASSEMBLY

LBIW X101

LOAD RATING

HEAVY DUTY

COATING

UNDIPPED

SPECIFICATION

COVER - GRAY IRON
ASTM A48 CL35B
RING - GRAY IRON
ASTM A48 CL35B

ESTIMATED WEIGHT

COVER: 105 LBS
FRAME: 38 LBS
TOTAL: 143 LBS

OPEN AREA

N/A

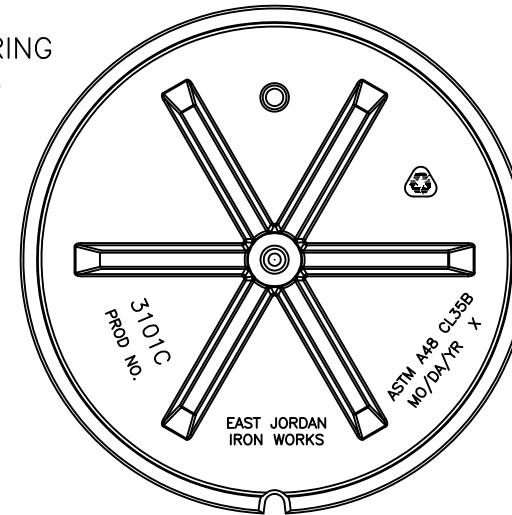
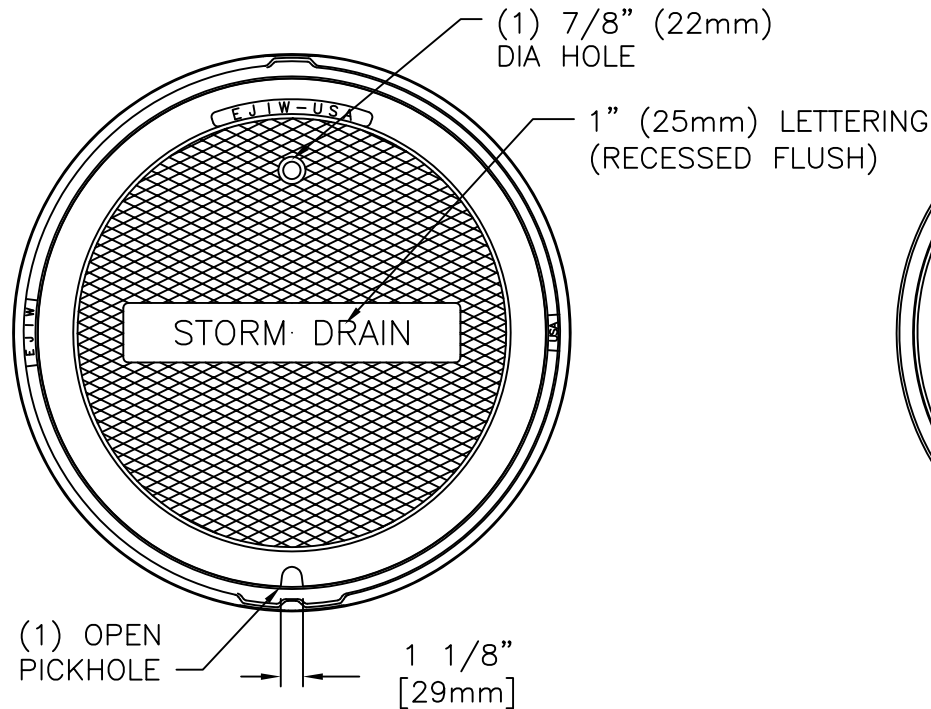
√ DESIGNATES MACHINE SURFACE

DRAWN
DEW

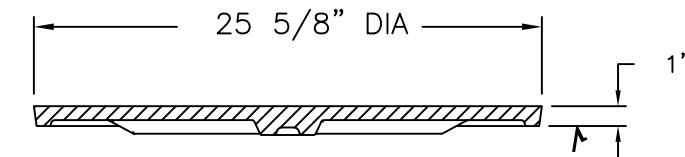
DATE
06/23/05

LAST REVISED
SMH

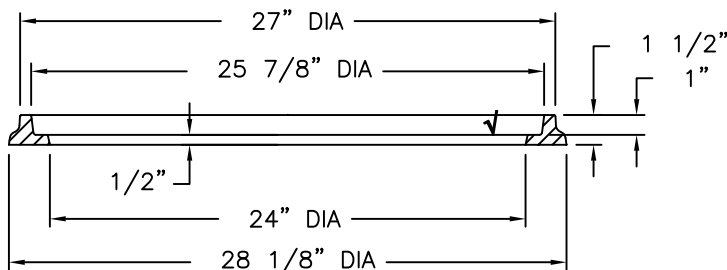
DATE
06/10/09



BOTTOM VIEW



SECTION



SECTION