

PRODUCT NUMBER

**00543602**

CATALOG NUMBER

**5436-1**

BOLTED AIRPORT  
ASSEMBLY

LOAD RATING  
EXTRA HEAVY DUTY  
AIRPORT AND PORT AUTHORITY  
(PROOF LOAD TESTED  
TO 269,157 LBS.)

COATING  
**DIPPED**

ESTIMATED WEIGHT  
EA. SIDE FRAME: 24 LBS  
EA. END FRAME: 36 LBS  
EA. GRATE: 400 LBS  
UNIT: 460 LBS

MATERIAL SPECIFICATION  
GRATE - DUCTILE IRON  
ASTM A536  
FRAME - GRAY IRON  
ASTM A48 CL35B

OPEN AREA  
385 SQ. IN.

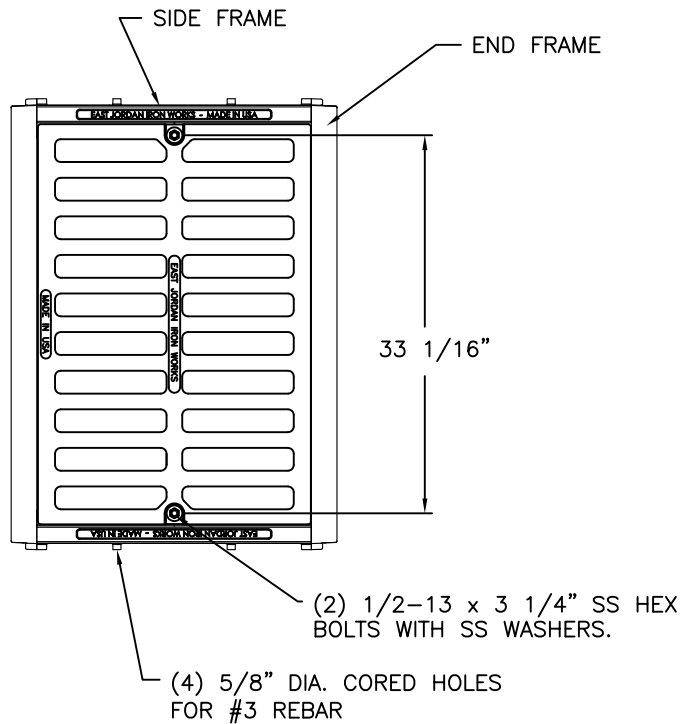
√ DESIGNATES MACHINED  
SURFACE

DRAWN SBB	DATE 05/25/04
--------------	------------------

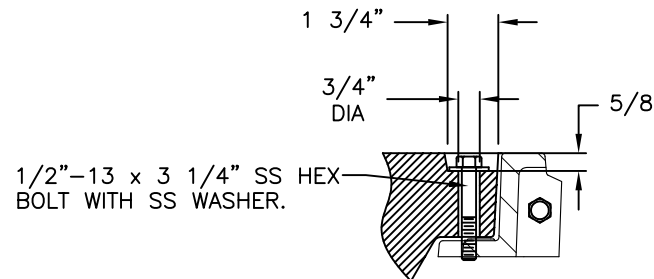
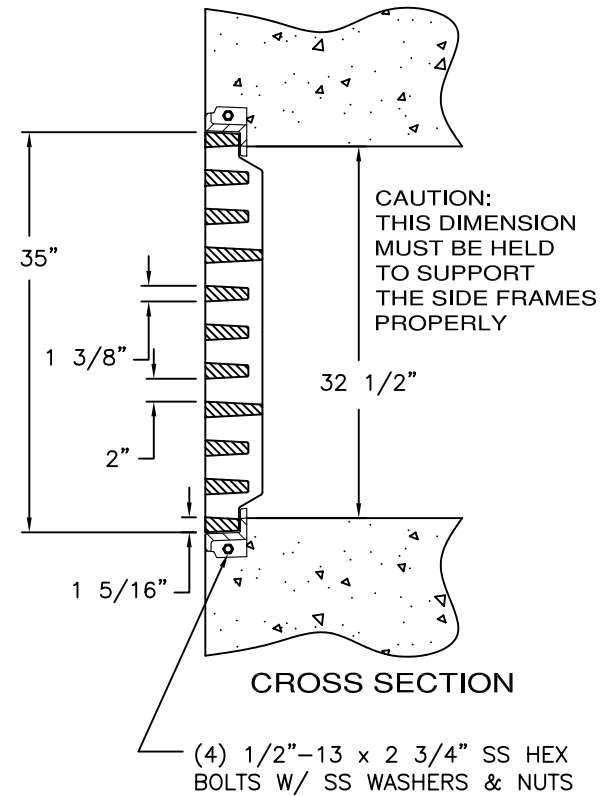
LAST REVISED SBB	DATE 08/31/09
---------------------	------------------

REFERENCE INFORMATION

00543612 00543614  
00543632



**CAUTION:**  
DO NOT  
DISASSEMBLE  
BOLTED GRATES  
BEFORE SETTING  
SECTIONS IN  
CONCRETE.



COUNTERBORE DETAIL

