

EAST JORDAN
IRON WORKS, INC.
P.O. BOX 439
EAST JORDAN, MI. 49727
1-800-874-4100
FAX 231-536-4458

DRAWN
DEW

DATE
09/28/04

APPROVED

DATE

PEDESTRIAN
TRENCH GRATE

PRODUCT NO.
47381030
UNDIPPED

CATALOG NO.
V-7381

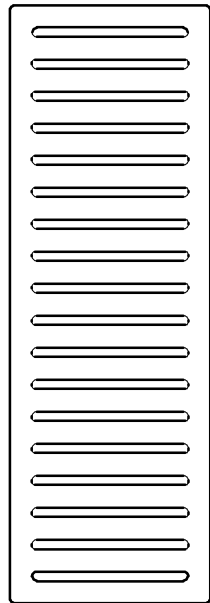
REF. PRODUCT DRAWING
NA

EST. WT.
GRATE: 37 LBS 17kg

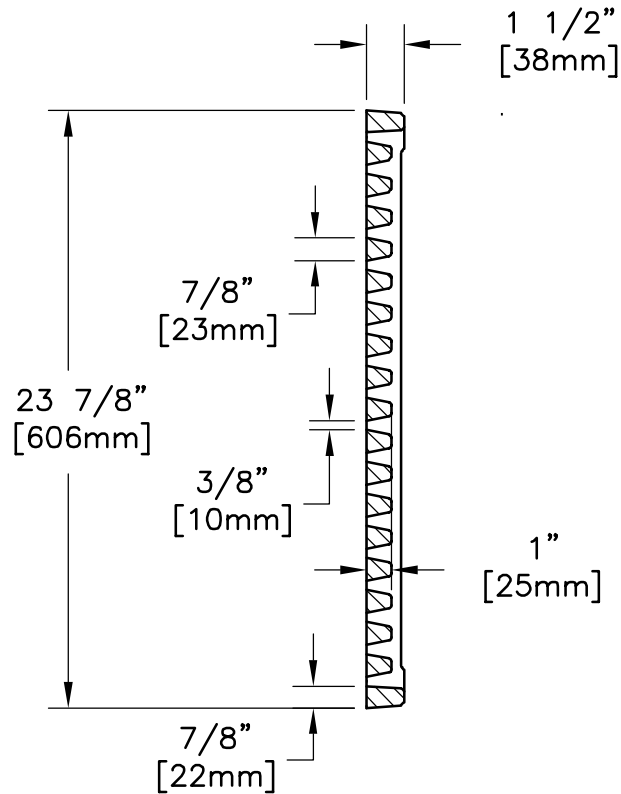
OPEN AREA
42 SQ. INCHES
270 SQ. CM

MAT'L SPEC.
COVER - GRAY IRON
ASTM A48 CL35B

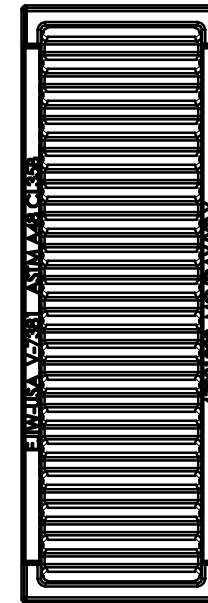
LOAD RATING
HEAVY DUTY



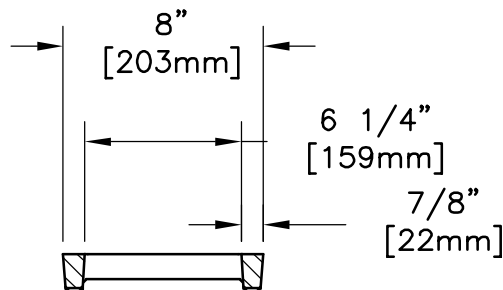
GRATE TOP VIEW



GRATE SECTION



GRATE BOTTOM



GRATE SECTION