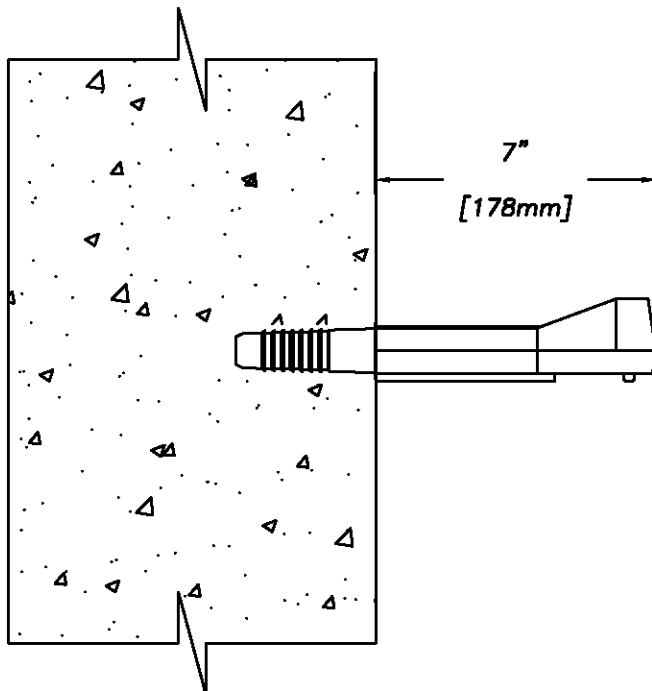


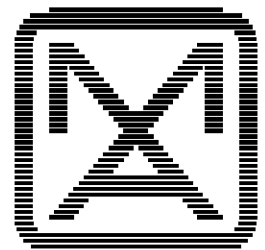
Copolymer Polypropylene Plastic

16mm
5/8" **GRADE 60 STEEL REINFORCEMENT**

SECTION-A



MEETS: OPSS 1351.08.02
BNQ
ASTM C-478
ASTM D-4101
ASTM A-615
AASHTO M-199



M . A . I N D U S T R I E S , I N C .