

STATE OF CALIFORNIA - DEPARTMENT OF TRANSPORTATION
Caltrans PROJECT DEVELOPMENT
 PROJECT ENGINEER
W. R. LOPEZ
 CHECKED BY
 DESIGNED BY
 CALCULATED BY

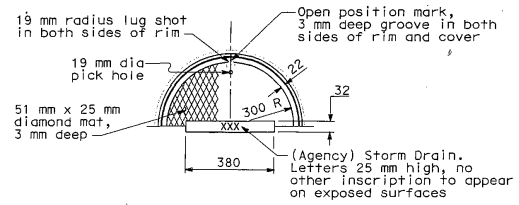
DIST	COUNTY	ROUTE	KILOMETER POST TOTAL PROJECT	SHEET No	TOTAL SHEETS
11	SD	905	R13.9/R18.6	402	895

REGISTERED CIVIL ENGINEER
 9-17-07
 PLANS APPROVAL DATE
 The State of California or its officers or agents shall not be responsible for the accuracy or completeness of electronic copies of this plan sheet.
 To get to the Caltrans web site, go to <http://www.dtl.ca.gov>

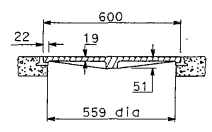
REGISTERED PROFESSIONAL ENGINEER
W. R. LOPEZ
 No. CS8085
 Exp. 8-30-08
 CIVIL
 STATE OF CALIFORNIA



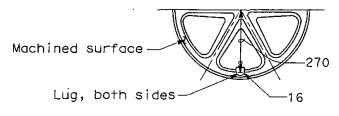
PRELIMINARY FOR BIDDING PURPOSES ONLY



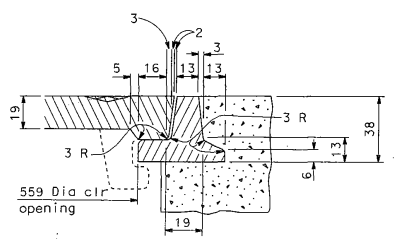
TOP OF FRAME AND COVER



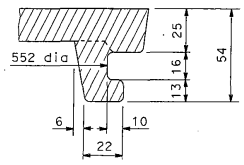
SECTION THROUGH FRAME AND COVER



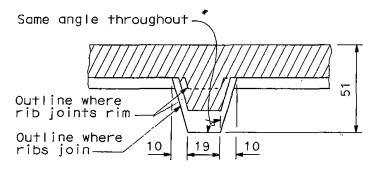
BOTTOM OF COVER



SECTION THROUGH RIM



SECTION THROUGH LUG

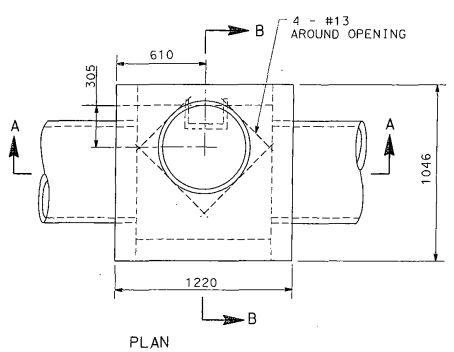


SECTION THROUGH RIB AT MID RADIUS

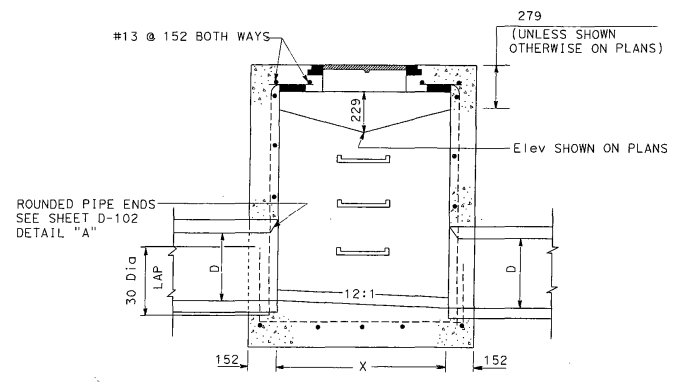
NOTES FOR MANHOLE FRAME & COVER:

1. Frame and cover shall be cast iron. Cast iron shall conform to ASTM 48, Class 30.
2. Frame and cover for use in non-traffic areas only.
3. Weights: Frame = 13.2 kg
Cover = 43.0 kg
4. Imported frames and covers shall have the country of origin marked in compliance with federal regulations.

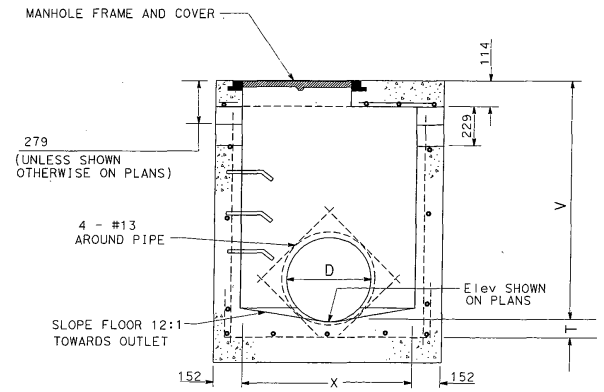
MANHOLE FRAME AND COVER LIGHT DUTY



PLAN



SECTION A-A



SECTION B-B

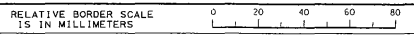
- NOTES:**
1. EXPOSED EDGES OF CONCRETE SHALL BE ROUNDED WITH A RADIUS OF 13.
 2. OPENINGS ON BOTH SIDES UNLESS OTHERWISE SHOWN ON PLANS.
 3. MAINTAIN 38 CLEAR SPACING BETWEEN REINFORCING AND SURFACE UNLESS OTHERWISE NOTED.

CATCH BASIN - TYPE F INLET

NOTE: ALL DIMENSIONS ARE IN MILLIMETERS UNLESS OTHERWISE SHOWN.

DRAINAGE DETAILS
NO SCALE

DD - 17



USERNAME => trmartin
 DCN FILE => b091821c017.dgn

CU 11224

EA 091821

STATE OF CALIFORNIA - DEPARTMENT OF TRANSPORTATION
Caltrans PROJECT DEVELOPMENT
 PROJECT ENGINEER
W. R. LOPEZ
 CHECKED BY
 DESIGNED BY
 CALCULATED BY