

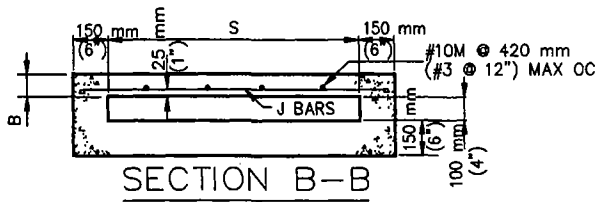
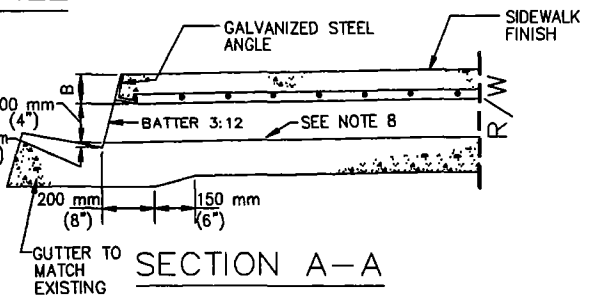
S, mm	J BAR SPACING, mm
300 (12")	240 (7")
450 (18")	240 (7")
600 (24")	240 (7")
750 (30")	240 (7")
900 (36")	240 (7")
1050 (42")	210 (6")
1200 (48")	180 (5")
1350 (54")	225 (6-1/2")
1500 (60")	180 (5")
1650 (66")	180 (4")
1800 (72")	120 (3-1/2")

FOR S = 750 mm (30") AND LESS, USE 2 ANCHORS. OTHERWISE, USE 3 ANCHORS.

FOR S = 1200 mm (48") AND LESS, B = 75 mm (3")
USE 64x51x9.5 (2-1/2"x2"x3/8") GALVANIZED STEEL ANGLE.

OTHERWISE, B = 100 mm (4"). USE 89x76x12.7 (3-1/2"x3"x1/2") GALVANIZED STEEL ANGLE.

J BARS ARE #10M (#3).



STANDARD PLANS FOR PUBLIC WORKS CONSTRUCTION

PROMULGATED BY THE PUBLIC WORKS STANDARDS INC. GREENBOOK COMMITTEE 1983 REV. 1996

PARKWAY DRAIN

USE WITH STANDARD SPECIFICATIONS FOR PUBLIC WORKS CONSTRUCTION

STANDARD PLAN METRIC

151-1

SHEET 1 OF 2