

**EJIW EAST JORDAN**  
IRON WORKS EST. 1883

800-626-4653  
www.ejiw.com  
MADE IN USA

PRODUCT NUMBER

**00316025**

CATALOG NUMBER

**3160C**

**COVER**

LOAD RATING

**HEAVY DUTY**

COATING

**DIPPED**

ESTIMATED WEIGHT

COVER: 200 LBS 91kg

MATERIAL SPECIFICATION

COVER - GRAY IRON  
ASTM A48 CL35B

OPEN AREA

N/A

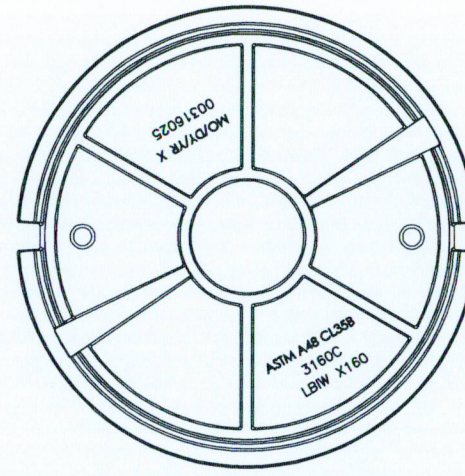
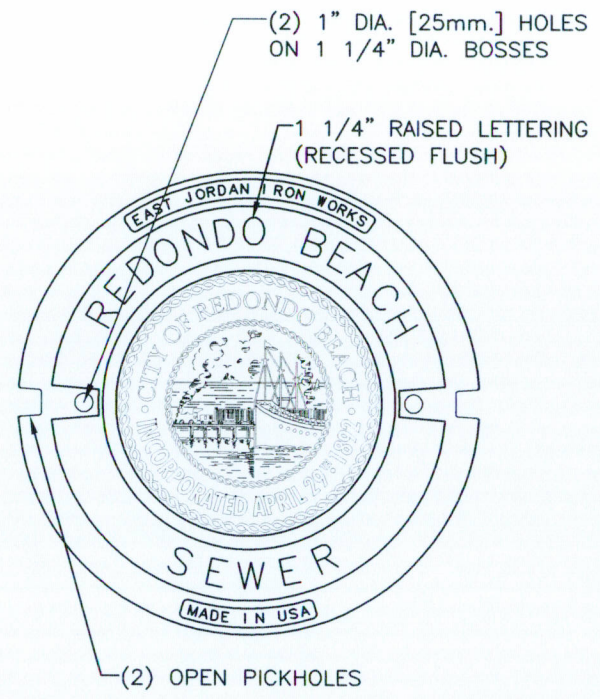
✓ DESIGNATES  
MACHINED SURFACE

DRAWN JIJ	DATE 03/28/07
--------------	------------------

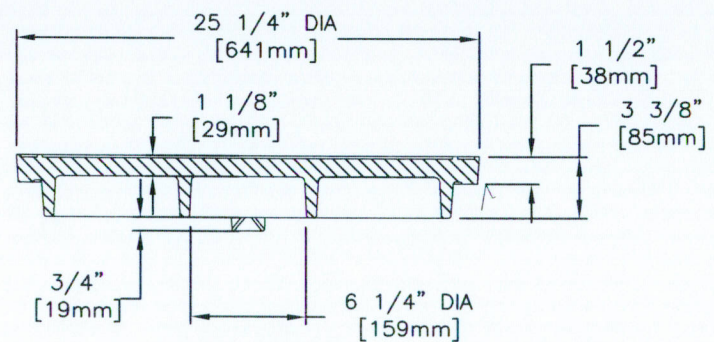
LAST REVISED GAD	DATE 08/30/07
---------------------	------------------

REFERENCE INFORMATION

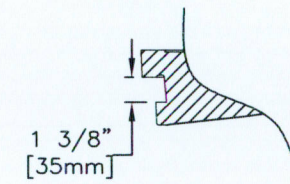
**00316025.LO**  
**41600342.1C**  
**00316020.1D**



BOTTOM VIEW



SECTION



LOCKING SECTION

CONFIDENTIAL: This drawing is the property of East Jordan Iron Works, Inc. and embodies confidential information, trade secret information, and/or know how that is the property of East Jordan Iron Works, Inc. © Copyright 2007 East Jordan Iron Works, Inc.