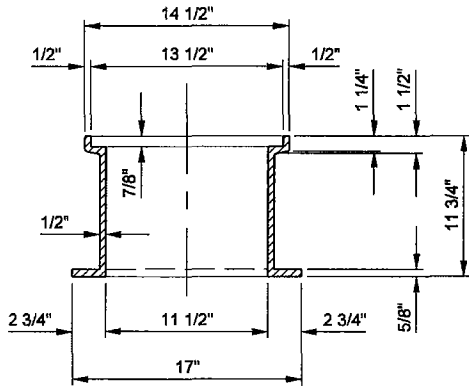
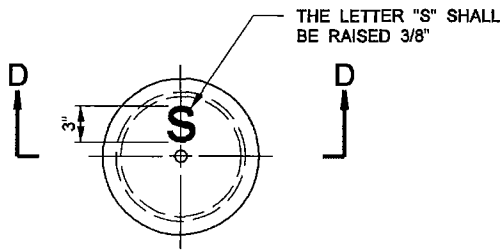


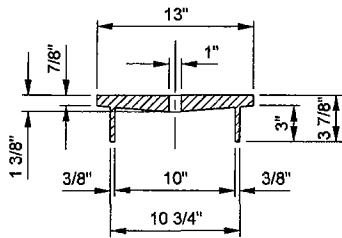
ACCESS FRAME



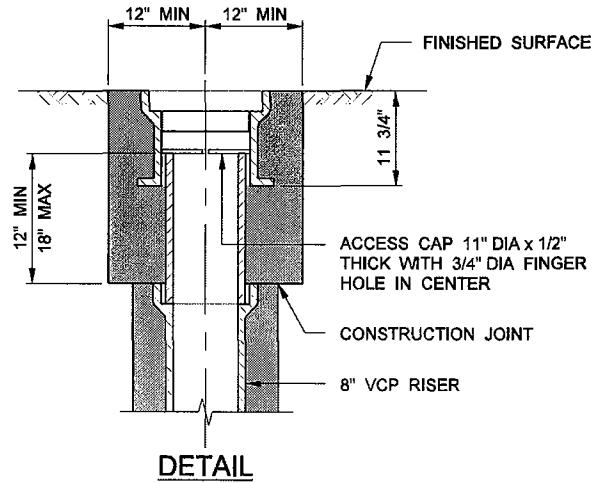
SECTION C-C



ACCESS COVER



SECTION D-D



DETAIL

COUNTY SANITATION DISTRICTS OF LOS ANGELES COUNTY
OFFICE OF CHIEF ENGINEER

STEPHEN R. MAGUIN
CHIEF ENGINEER

STANDARD DROP MANHOLE

STANDARD DRAWING
2006 EDITION
S - a - 205
SHEET 2 OF 4