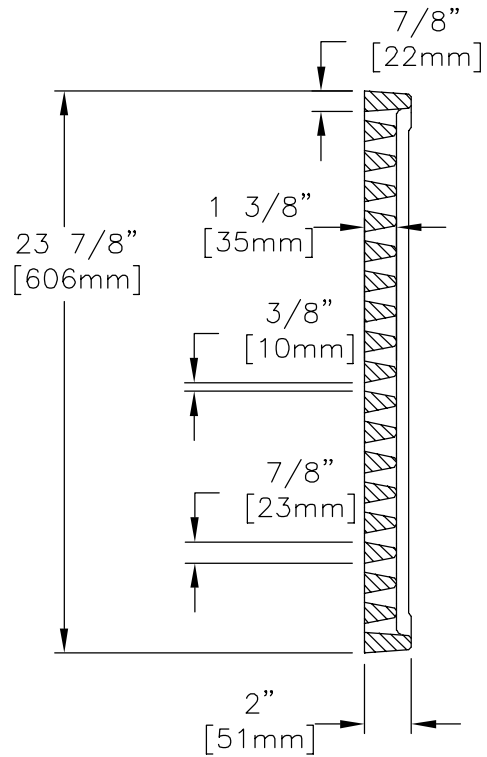
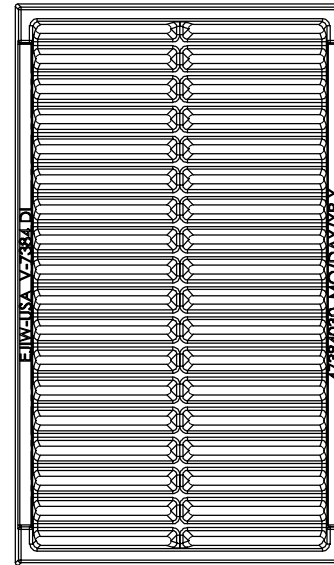


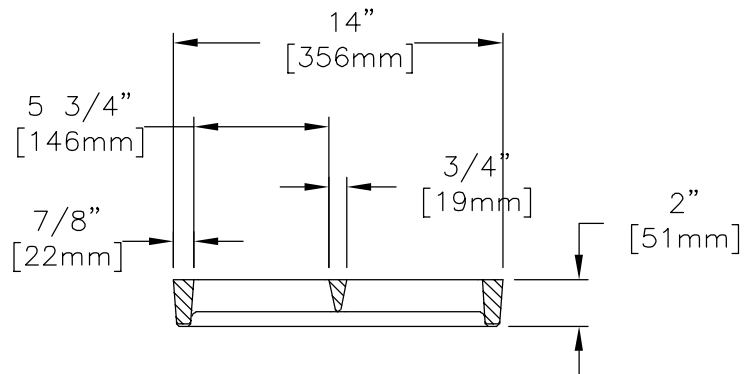
GRATE TOP VIEW



GRATE SECTION



BOTTOM VIEW



GRATE SECTION

EAST JORDAN
IRON WORKS, INC.
P.O. BOX 439
EAST JORDAN, MI. 49727
1-800-874-4100
FAX 231-536-4458

DRAWN DEW	DATE 09/01/04
--------------	------------------

APPROVED	DATE
----------	------

V7384 GRATE

PRODUCT NO.
47384030
UNDIPPED

CATALOG NO.

V7384

REF. PRODUCT DRAWING
47384030

EST. WT.

GRATE: 79LBS 36kg

OPEN AREA
77 SQ IN
[497 SQ CM]

MAT'L SPEC.

FRAME - DUCTILE IRON
ASTM A536

LOAD RATING
HEAVY DUTY