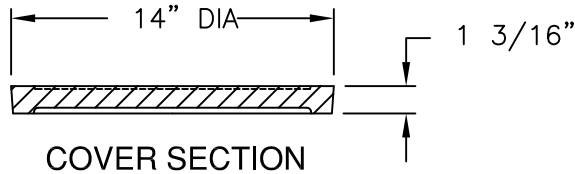
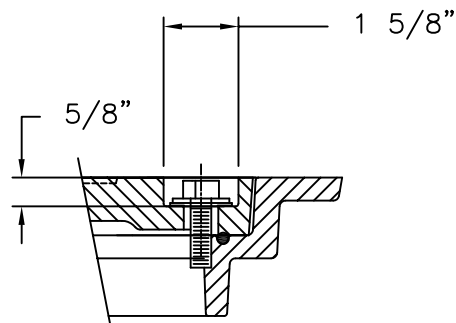


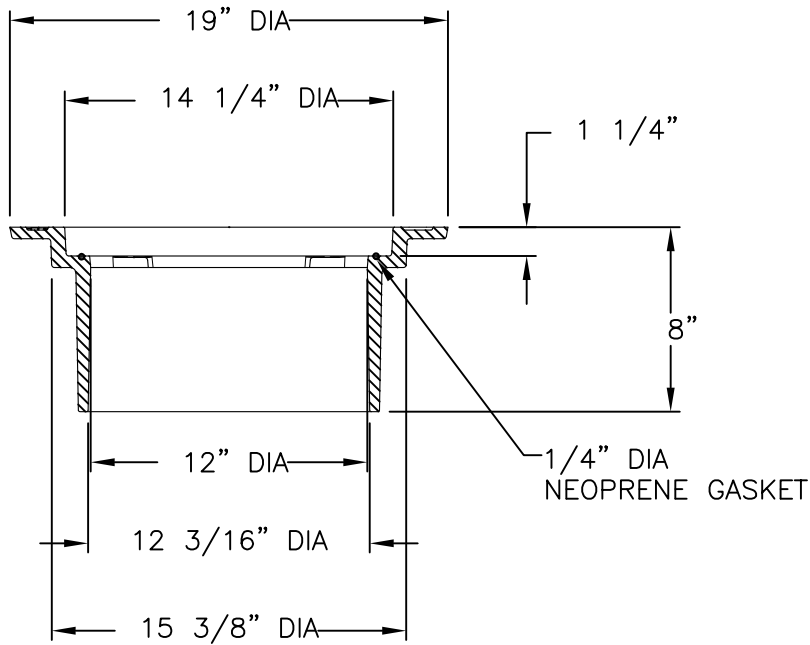
(4) 1/2"–13
HEX HEAD S.S. BLT
& ZNC. & RUBBER
WASHERS



COVER SECTION



BOLT DETAIL



COVER SECTION

EJIW EAST JORDAN
IRON WORKS EST. 1883

800-626-4653
www.ejiw.com
MADE IN USA

PRODUCT NUMBER
00171624W01

CATALOG NUMBER
1716Z1PT
1716APT DI

**MANHOLE
ASSEMBLY**

LOAD RATING
EXTRA HEAVY DUTY
200,000 LBS.

COATING
UNDIPPED

MATERIAL SPECIFICATION
COVER – DUCTILE IRON
ASTM A536
FRAME – GRAY IRON
ASTM A48 CL35B

OPEN AREA
N/A

√ DESIGNATES MACHINED
SURFACE

DRAWN
GAD
DATE
10/12/09

LAST REVISED
DATE

REFERENCE INFORMATION

00171617
00171624