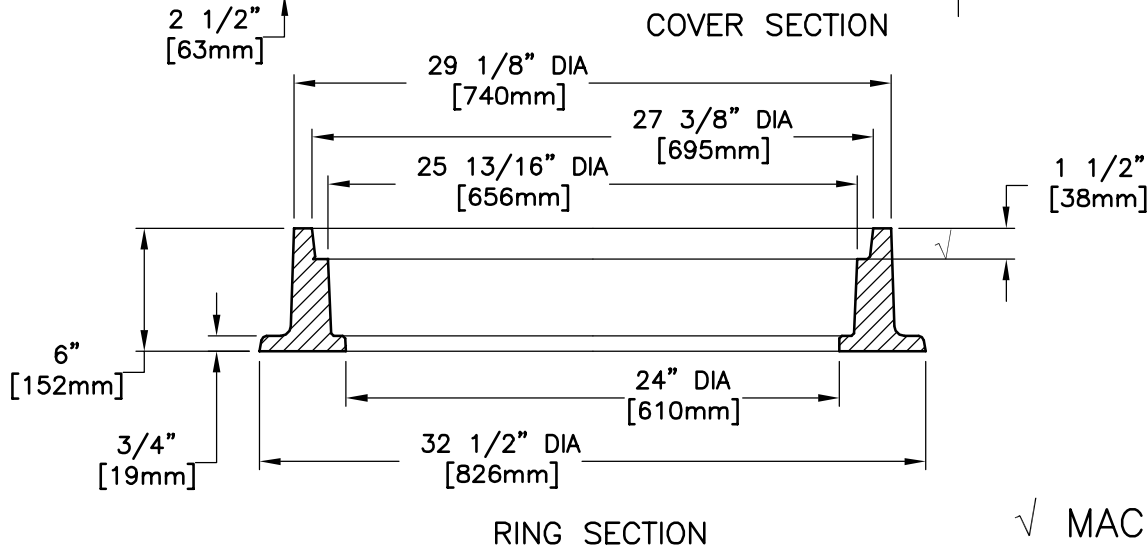
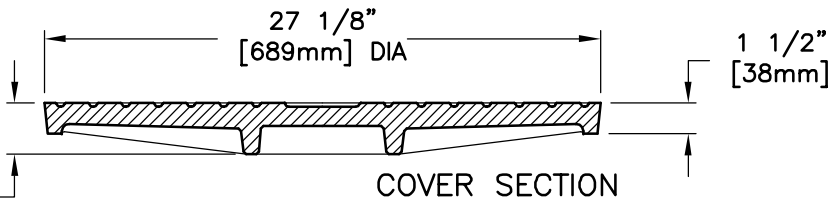


3/4" [19mm] DIA
HANDLING HOLE

2 1/2" [64mm] RAISED LETTERS
(RECESSED FLUSH)
FLAT FACE GOTHIC NO. 2



✓ MACHINED SURFACE

EAST JORDAN
IRON WORKS, INC.
P.O. BOX 439
EAST JORDAN, MI. 49727
1-800-874-4100
FAX 231-536-4458

DRAWN SBB	DATE 05/15/03
--------------	------------------

APPROVED	DATE
----------	------

MANHOLE
ASSEMBLY
(LBIW X162)

PRODUCT NO.

00316209

CATALOG NO.

3162C
3162Z

REF. DRAWING NUMBERS

316229
316210

EST. WT.

COVER: 175 LBS 79kg
FRAME: 265 LBS 120kg
UNIT: 440 LBS 199kg

OPEN AREA

N/A

MAT'L SPEC.

COVER - GRAY IRON
ASTM A48 CL35
FRAME - GRAY IRON
ASTM A48 CL35

LOAD RATING

HEAVY DUTY