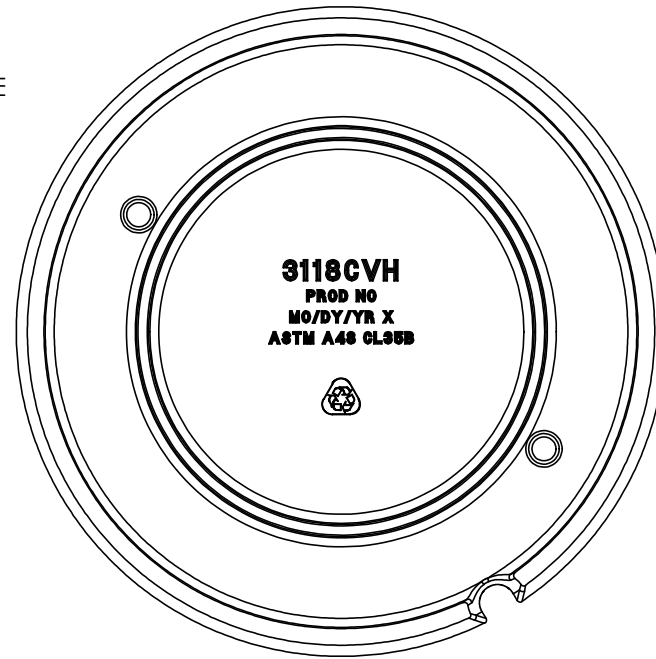
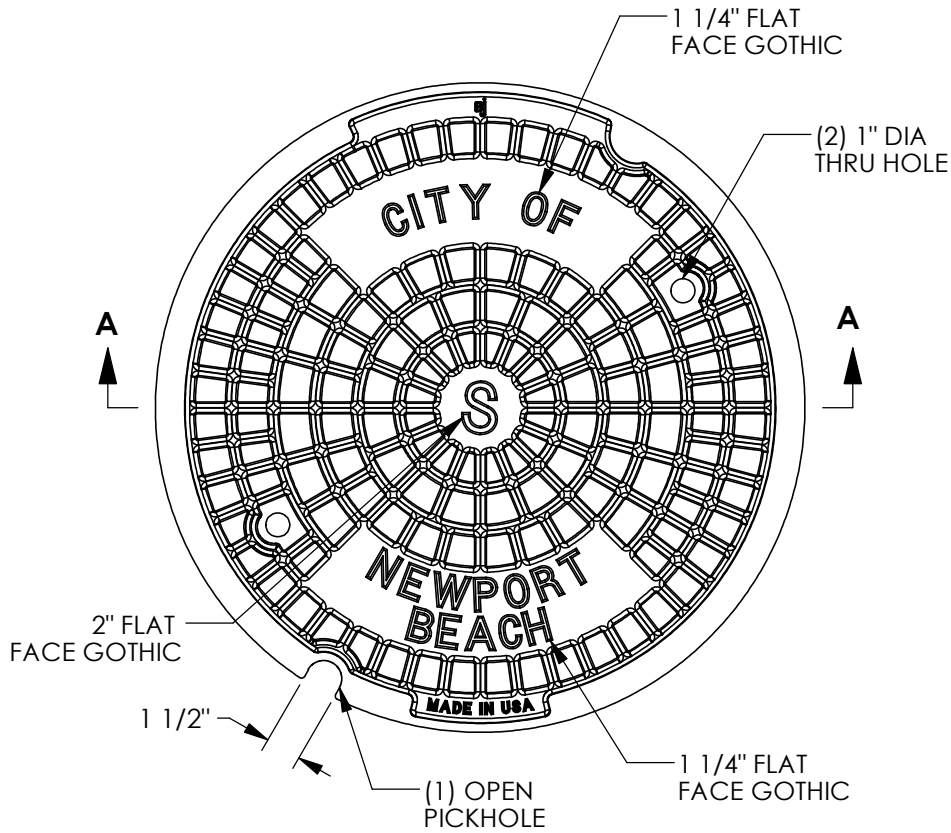


3118CVH Cover



BOTTOM VIEW

Product Number

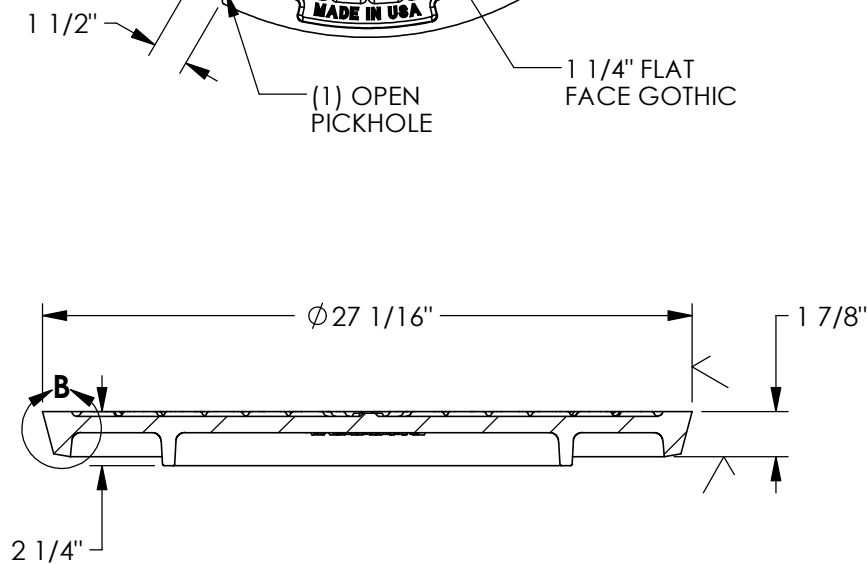
00311828

Design Features

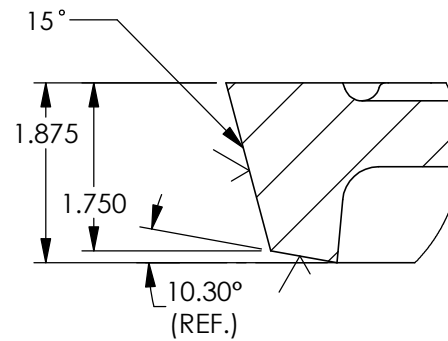
- Materials
Gray Iron (CL35B)
- Load Rating
Heavy Duty H20
- Open Area
n/a
- Coating
Dipped
- √ Designates Machined Surface

Certification

- ASTM A48
-
- Country of Origin: USA



SECTION A-A



**DETAIL B
SCALE 1 : 2**

Drawing Revision

12/03/2018 Designer: DJH
01/03/2019 Revised By: DJH

Disclaimer

Weights (lbs/kg), dimensions (inches/mm) and drawings provided for your guidance. We reserve the right to modify specifications without prior notice.

CONFIDENTIAL: This drawing is the property of EJ Group, Inc. and embodies confidential information, registered marks, patents, trade secret information, and/or know how that is the property of EJ Group, Inc. Copyright © 2018 EJ Group, Inc. All rights reserved.

Contact

800 626 4653
ejco.com