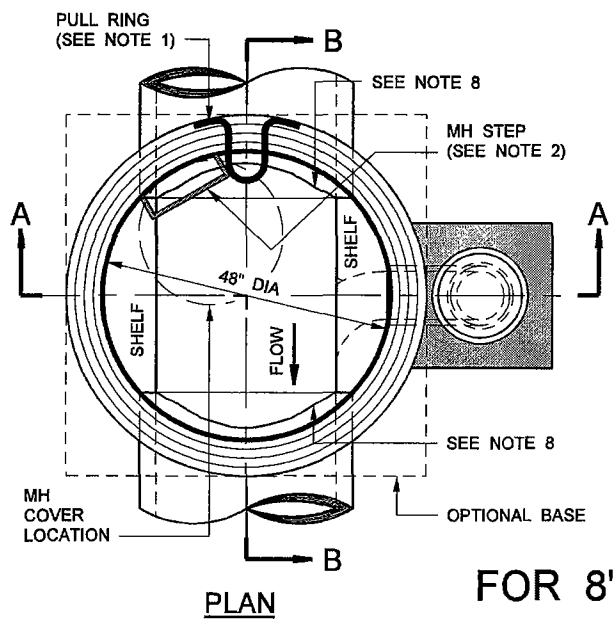


SECTION A-A

SECTION B-B



PLAN

FOR 8" TO 30" PIPE

COUNTY SANITATION DISTRICTS OF LOS ANGELES COUNTY
OFFICE OF CHIEF ENGINEER

STEPHEN R. MAGUIN
CHIEF ENGINEER

STANDARD DROP MANHOLE

STANDARD DRAWING
2006 EDITION
S - a - 205
SHEET 1 OF 4