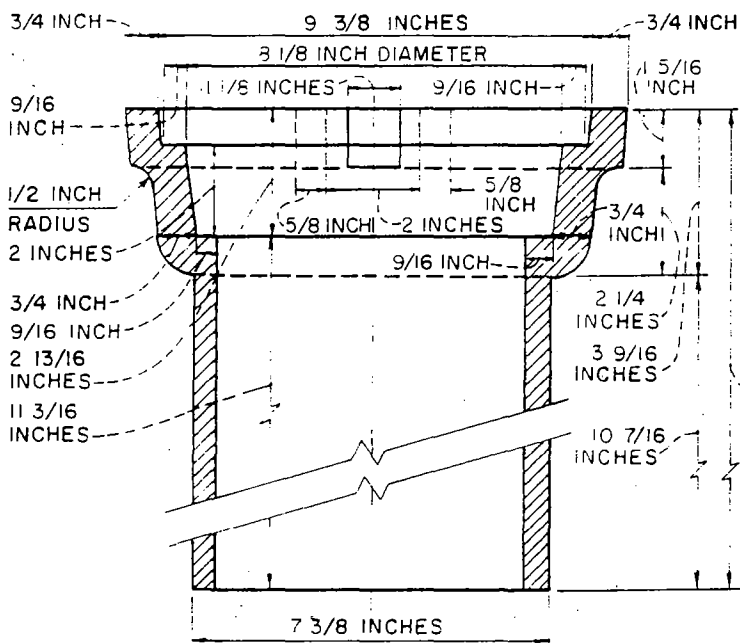
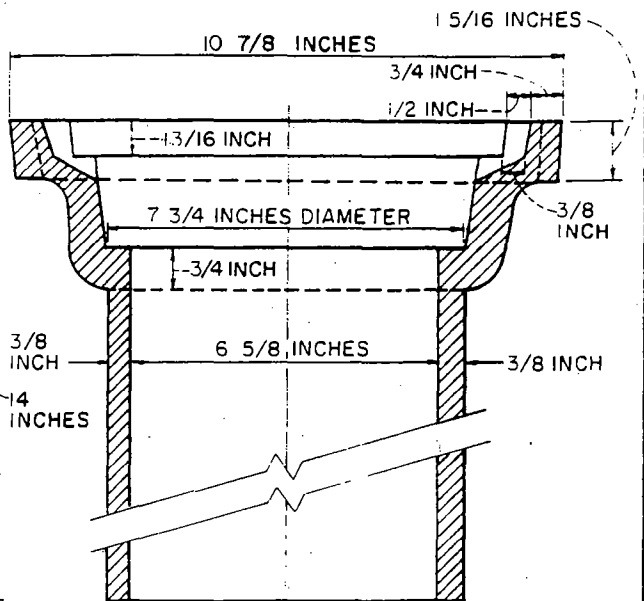


PLAN VIEW



SECTION A-A



SECTION B-B

NOTE:

LONG BEACH STANDARD HEAVY 8 INCH CAST IRON GATE BOX LID TO BE USED WITH THIS GATE BOX (SEE WDS-116)

LONG BEACH WATER DEPARTMENT	
ADJUSTABLE GATE BOX-8-INCH	
DESIGNED BY	RECOMMENDED
CHECKED BY MANABAT	<i>Wm. Davis</i>
DATE 3-27-87	BUREAU ENGINEER C.E. NO. 19113
SCALE NONE	APPROVED
SUPERSEDES DWG. NO.	<i>LC</i>
A5-734	GENERAL MANAGER C.E. NO. 18644
DRAWN BY GONZALEZ	SHEET
	1 OF 1
	WDS-115