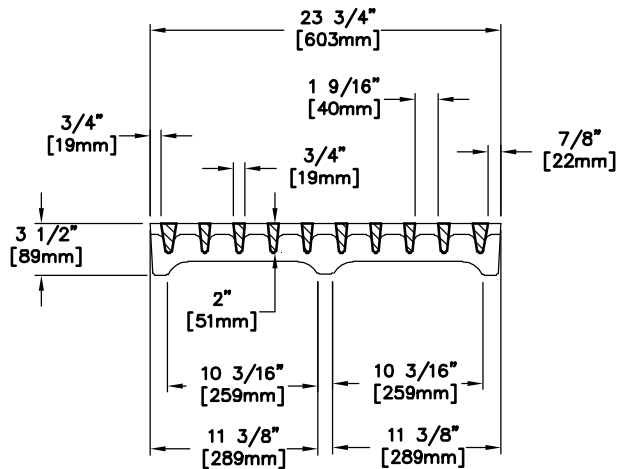


SECTION



SECTION

EAST JORDAN
IRON WORKS, INC.
P.O. BOX 439
EAST JORDAN, MI. 49727
1-800-874-4100
FAX 231-536-4458

DRAWN JIJ	DATE 10/26/04
APPROVED	DATE

GRATE

PRODUCT NO.

00332631

CATALOG NO.

3326MDI

REF. PRODUCT DRAWING

332631

EST. WT.

GRATE: 165 LBS 75kg

OPEN AREA

529 SQ IN (3412 SQ CM)

MAT'L SPEC.

GRATE - DUCTILE IRON
ASTM 536